

05/15/2022

BID SET

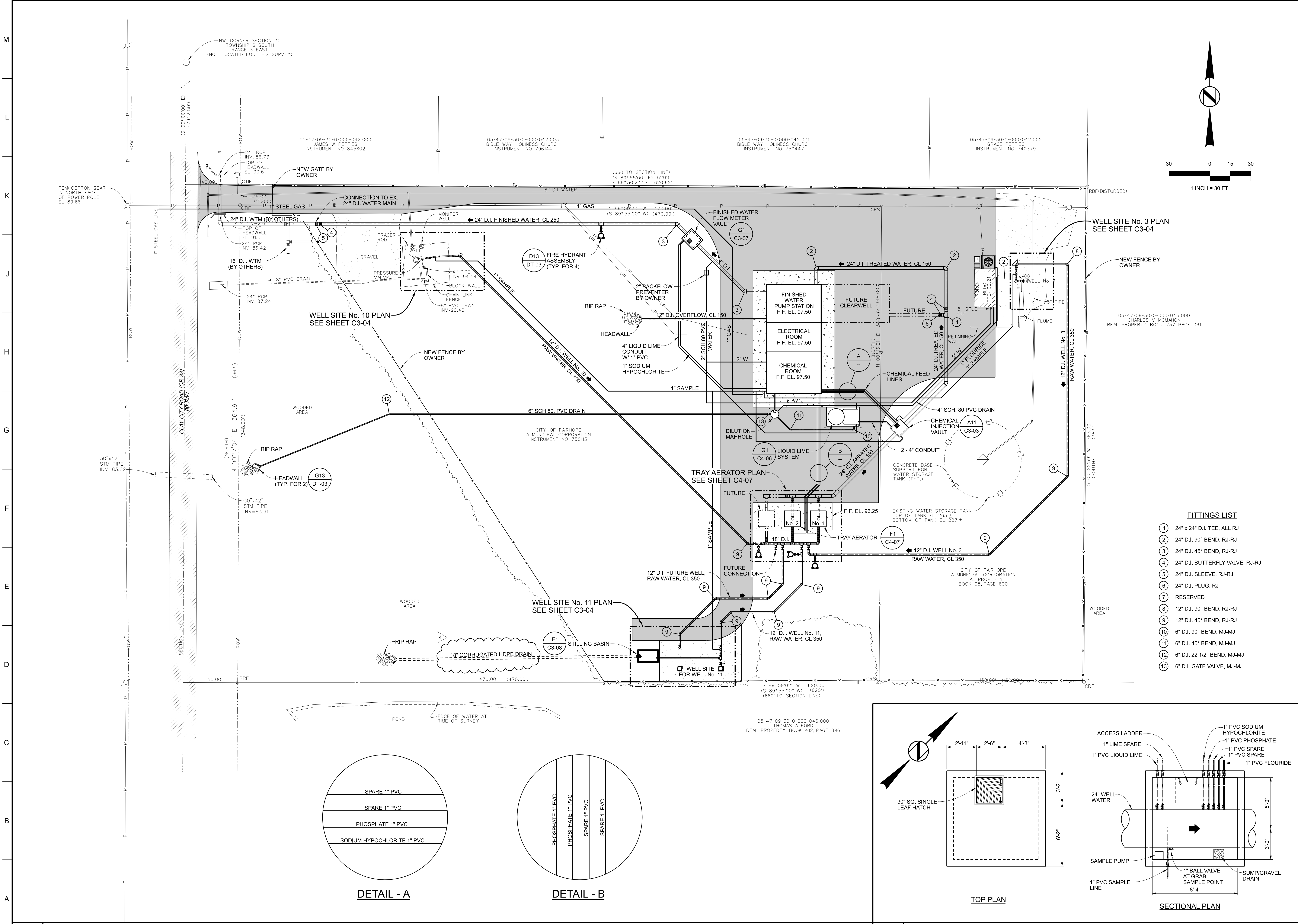
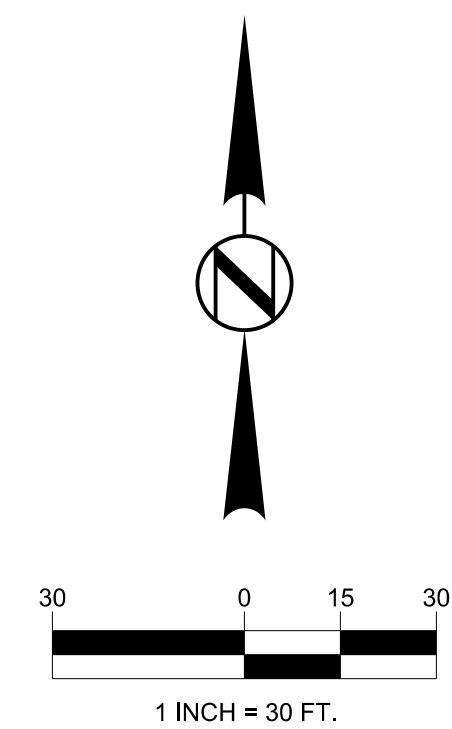
CITY OF FAIRHOPE
**WATER TREATMENT PLANT NO. 3
 EXPANSION**
 FAIRHOPE, ALABAMA



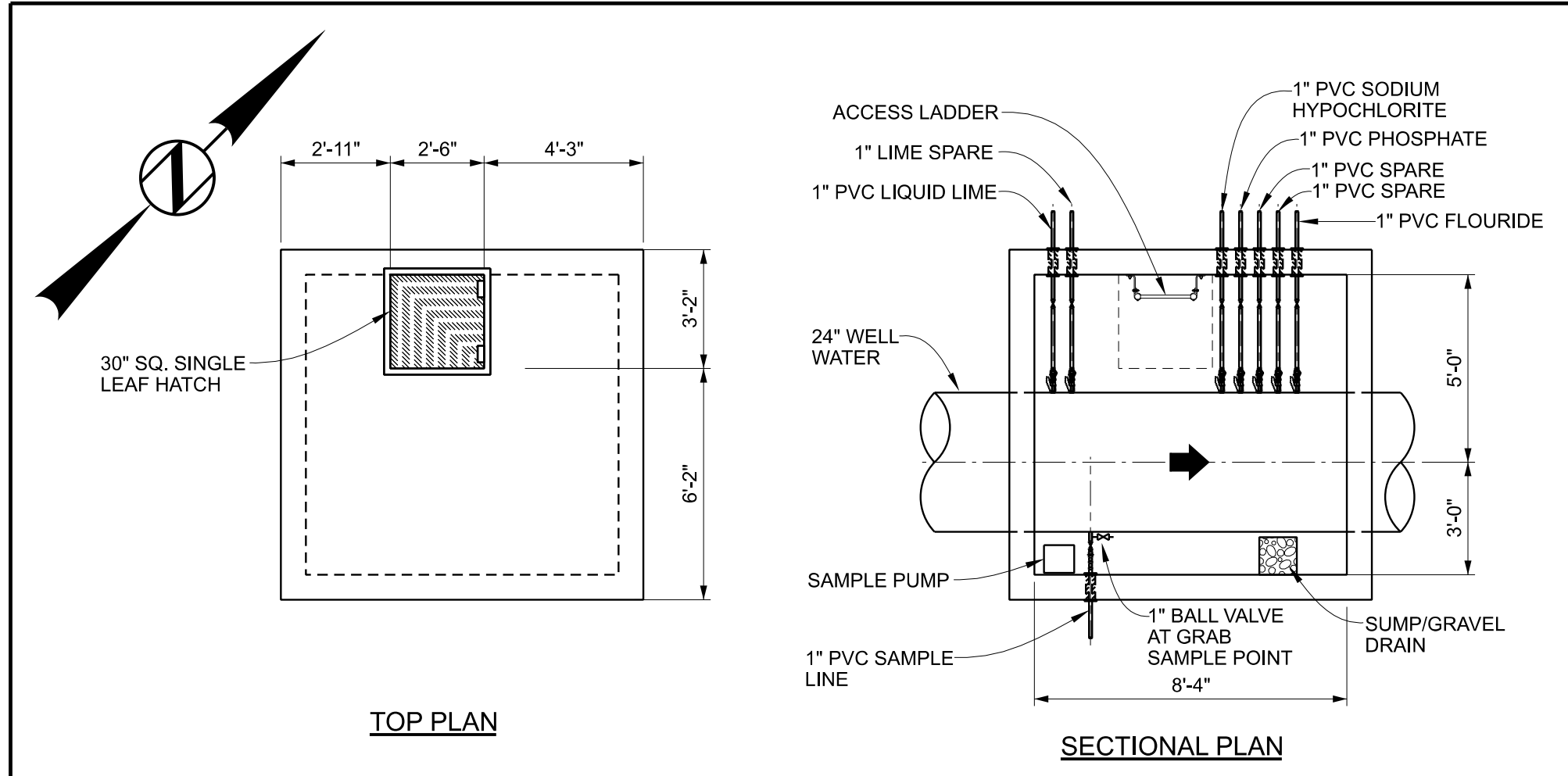
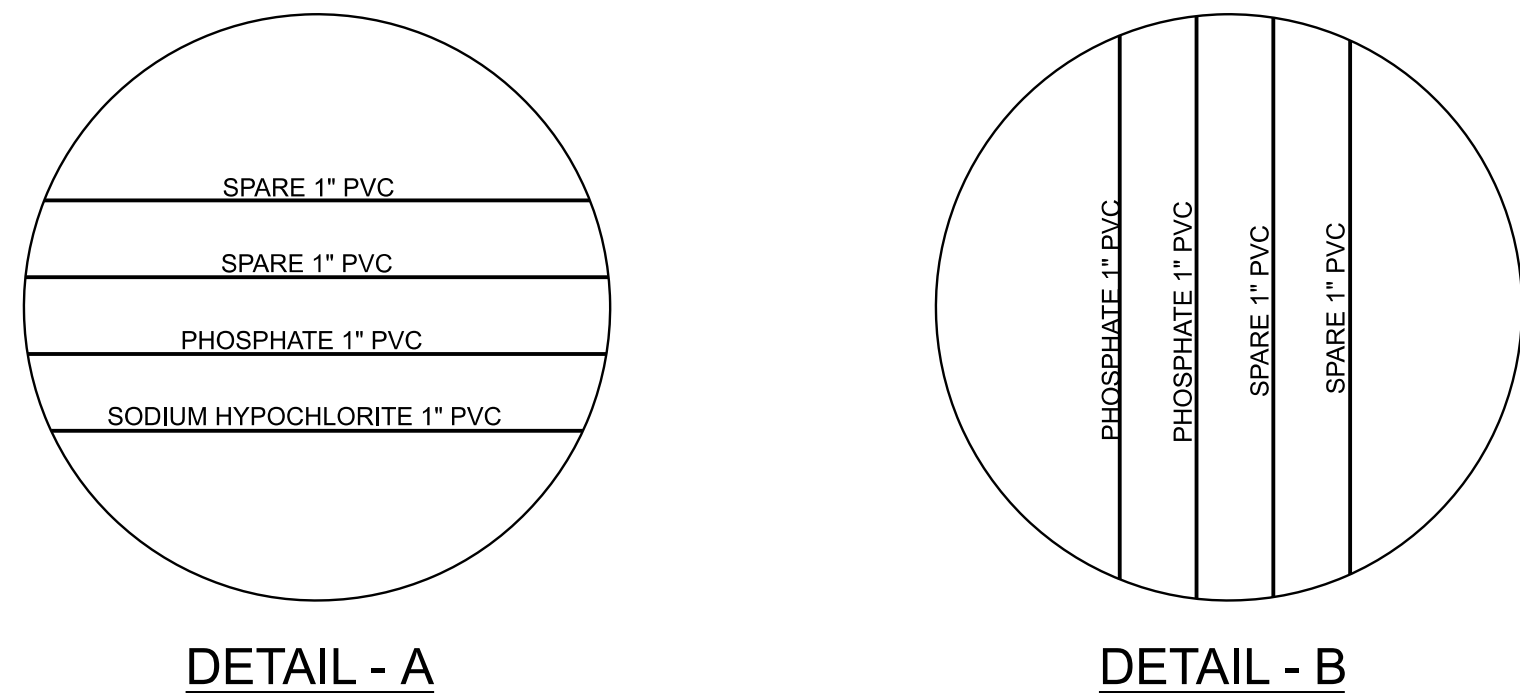
Designed	ADM	Project No.	21036
Drawn	ADM / CLM		
Checked	CLL		

Revisions	No.	Date	Description
	1	6/6/2022	ADDENDUM NO. 1
	4	6/24/2022	ADDENDUM NO. 4

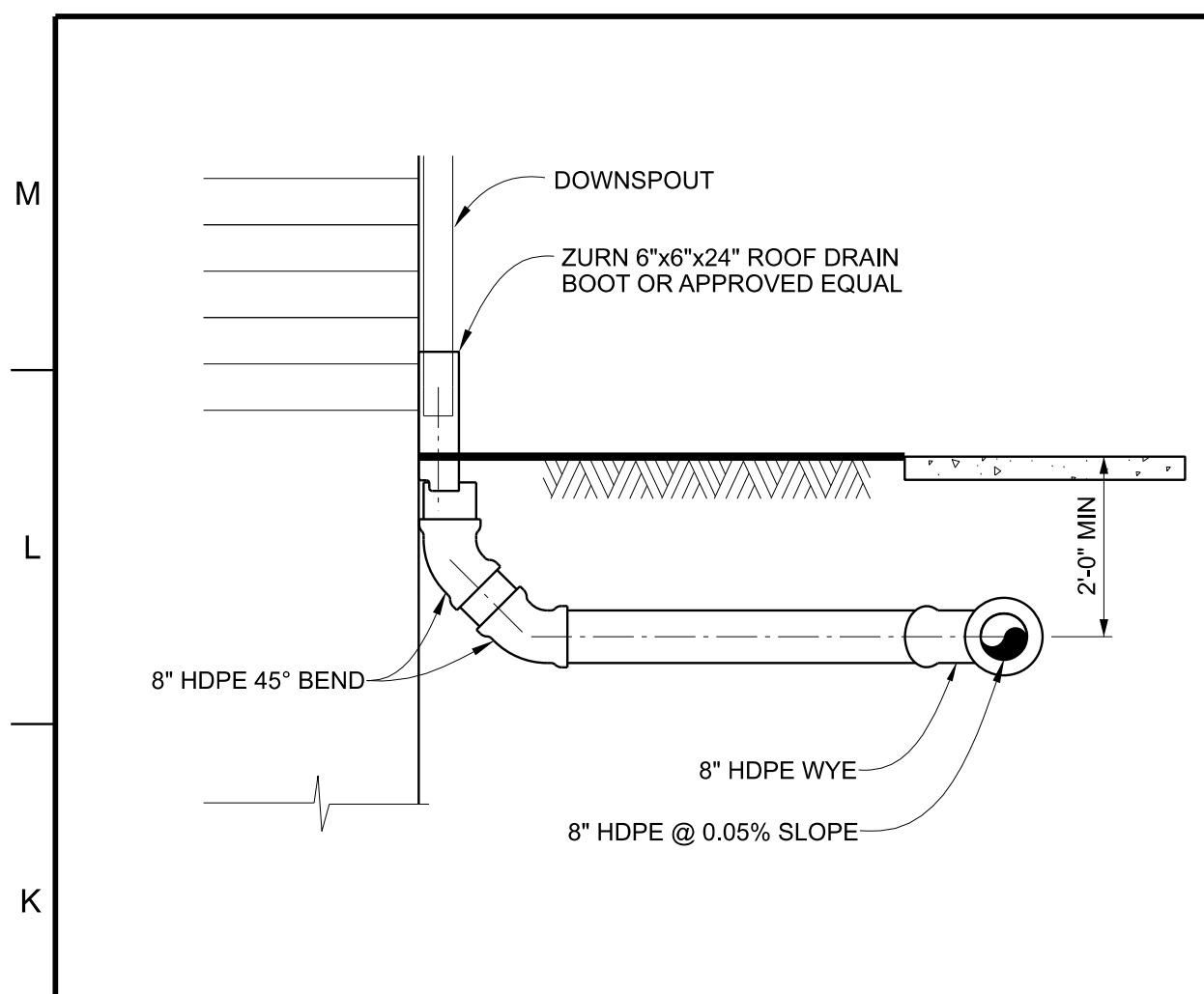
Sheet Title	YARD PIPING PLAN
Issue Date	MAY, 2022
Sheet No.	C3-03
Sequence	20 of 92



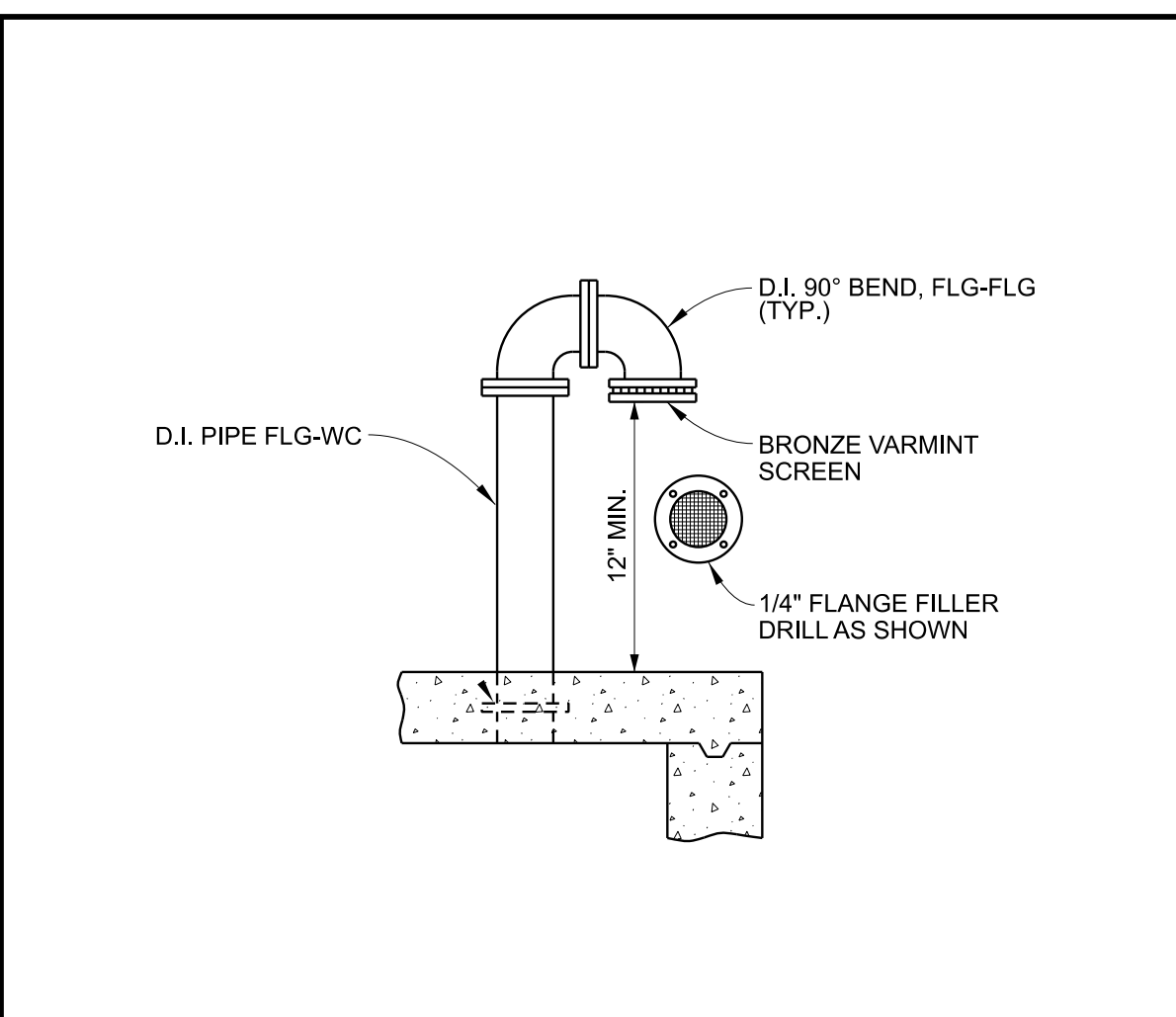
- FITTINGS LIST**
- 1 24" x 24" D.I. TEE, ALL RJ
 - 2 24" D.I. 90° BEND, RJ-RJ
 - 3 24" D.I. 45° BEND, RJ-RJ
 - 4 24" D.I. BUTTERFLY VALVE, RJ-RJ
 - 5 24" D.I. SLEEVE, RJ-RJ
 - 6 24" D.I. PLUG, RJ
 - 7 RESERVED
 - 8 12" D.I. 90° BEND, RJ-RJ
 - 9 12" D.I. 45° BEND, RJ-RJ
 - 10 6" D.I. 90° BEND, MJ-MJ
 - 11 6" D.I. 45° BEND, MJ-MJ
 - 12 6" D.I. 22 1/2° BEND, MJ-MJ
 - 13 6" D.I. GATE VALVE, MJ-MJ



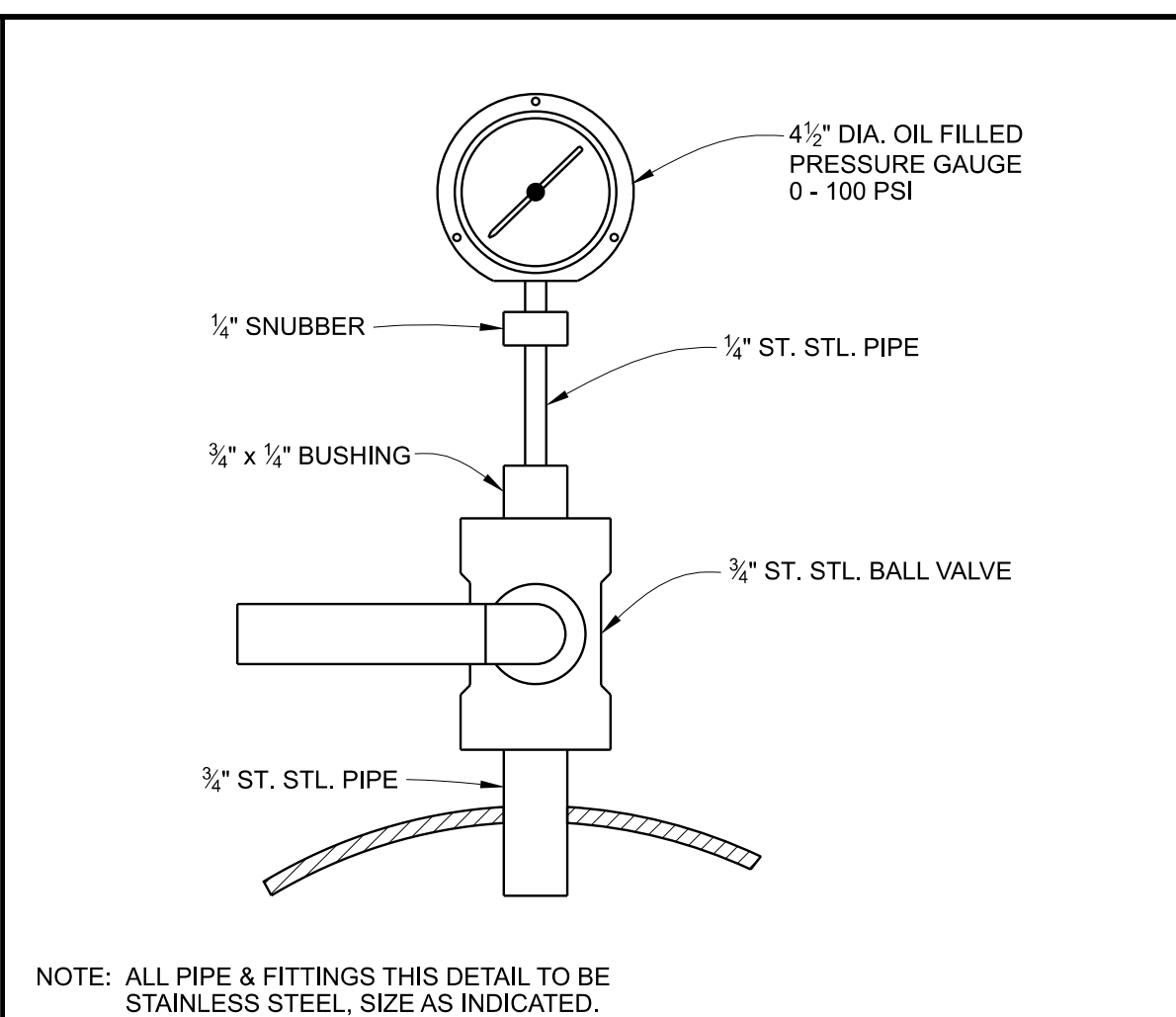
R:\A\2022\C3-03.dwg
 05/15/2022
 11:20:35 AM
 P:\Users\adm\OneDrive\Documents\CAD\WTFP_No_3_Expansion\Drawings\C3-03.dwg



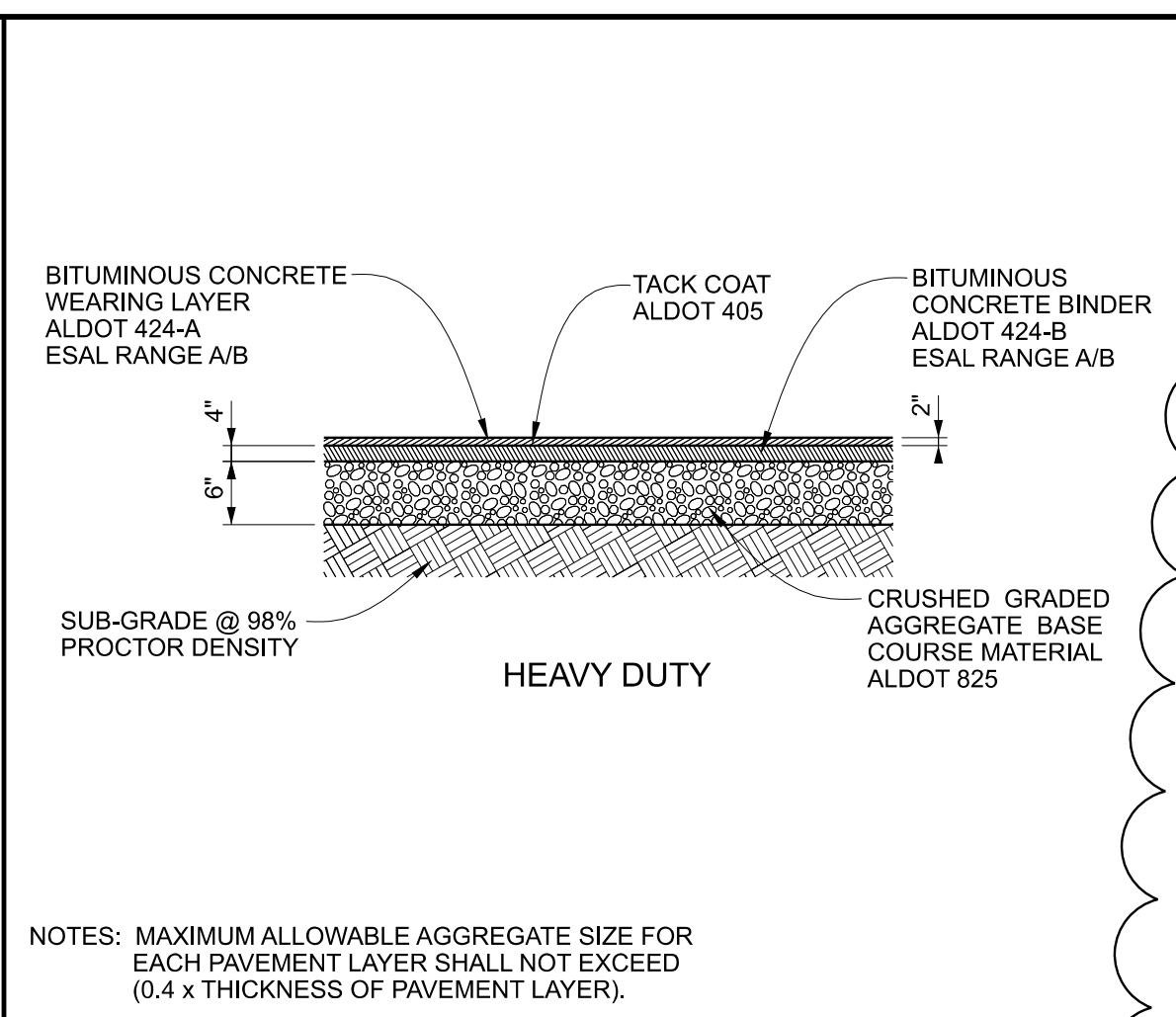
K1 ROOF DRAIN CONNECTION NO SCALE



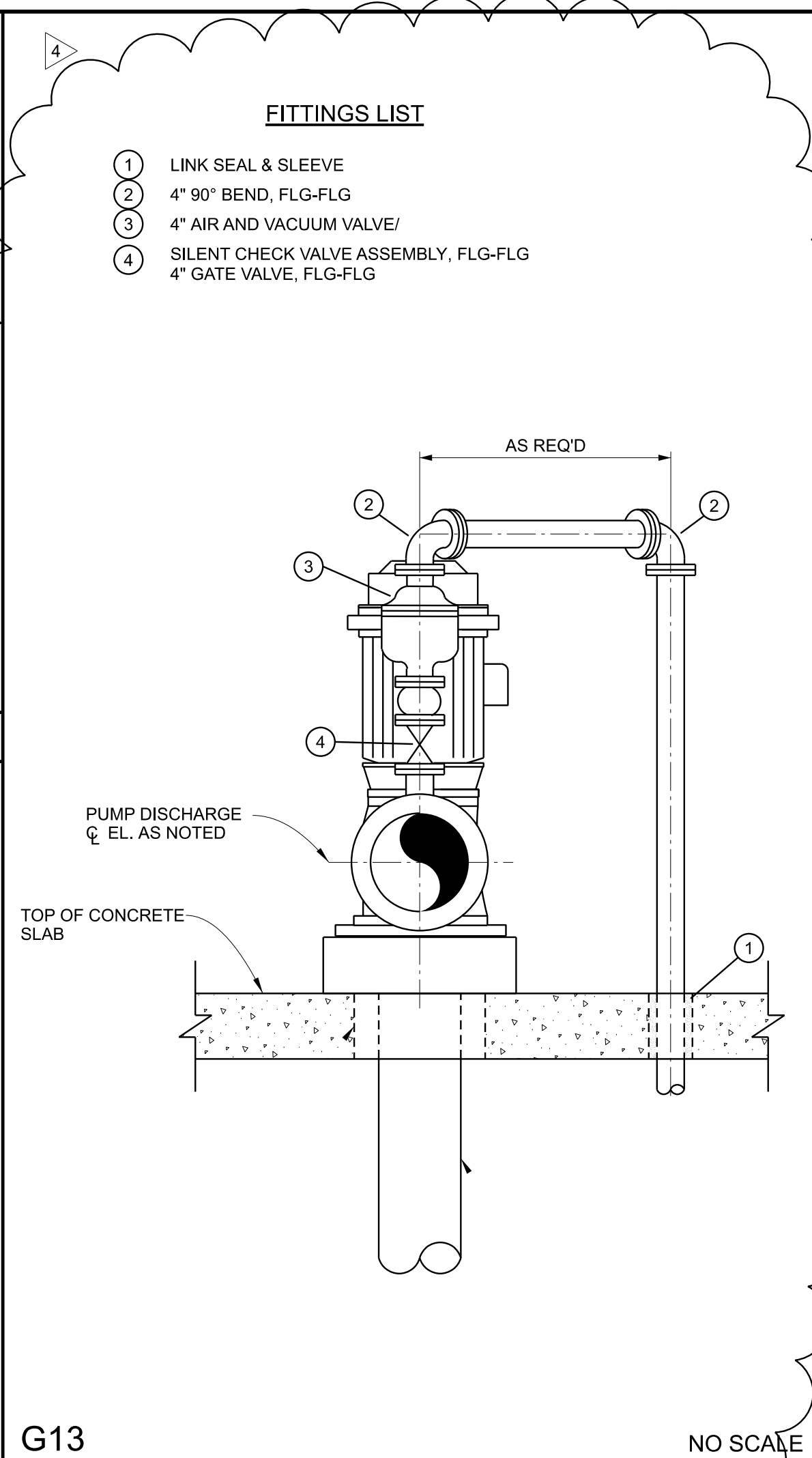
K4 VENT ASSEMBLY DETAIL NO SCALE



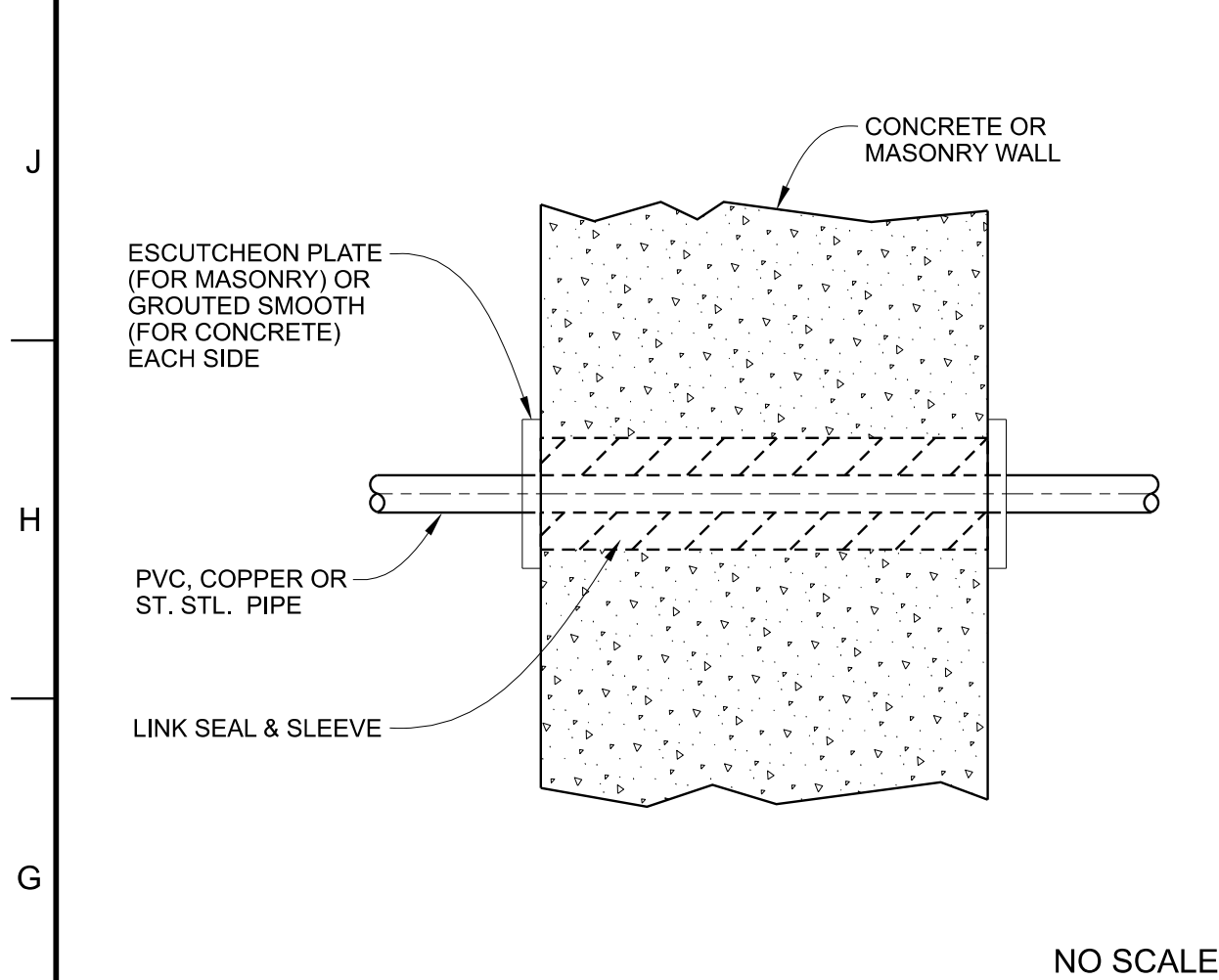
K7 PRESSURE GAUGE ASSEMBLY NO SCALE



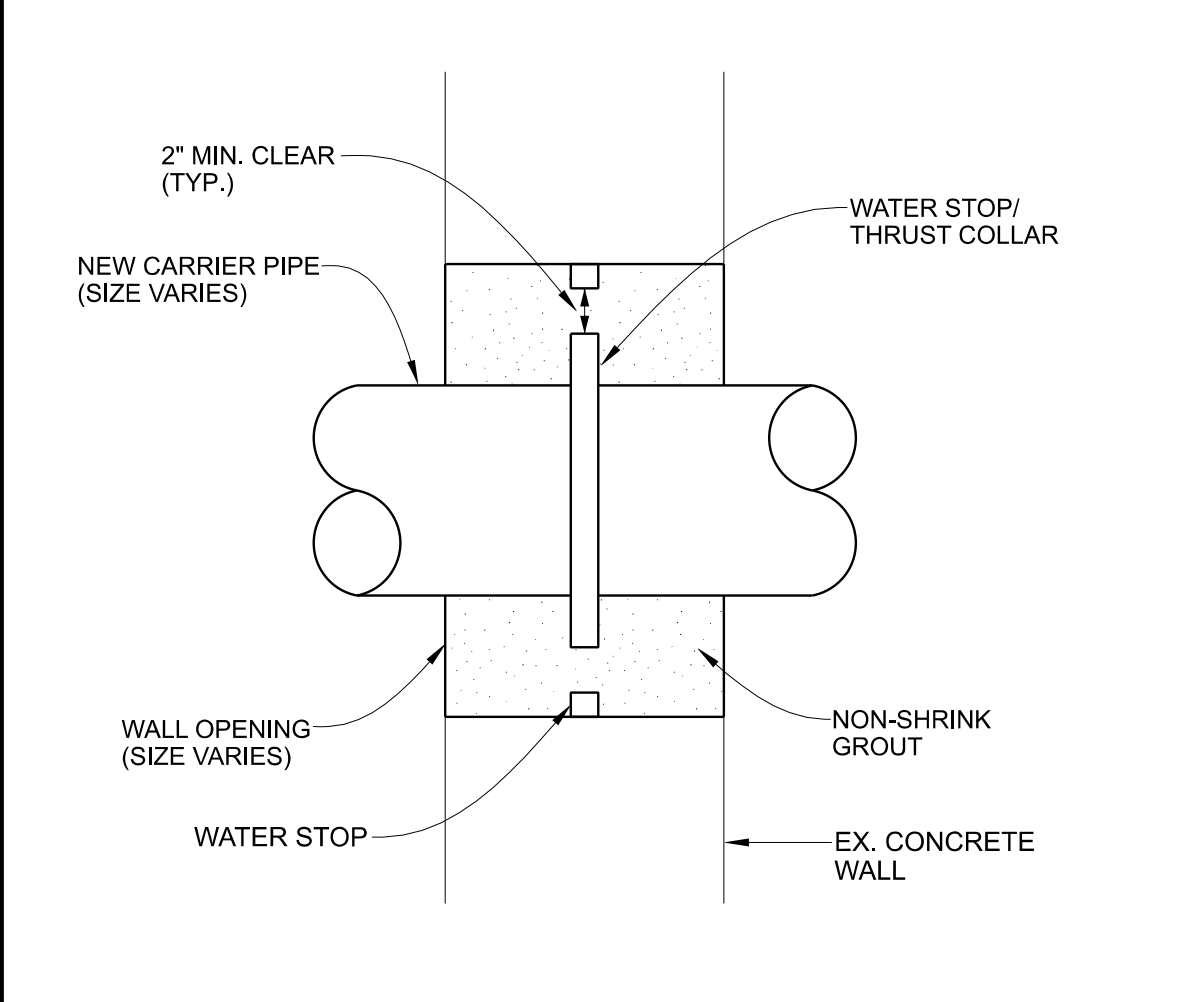
K10 PAVEMENT SECTION DETAIL NO SCALE



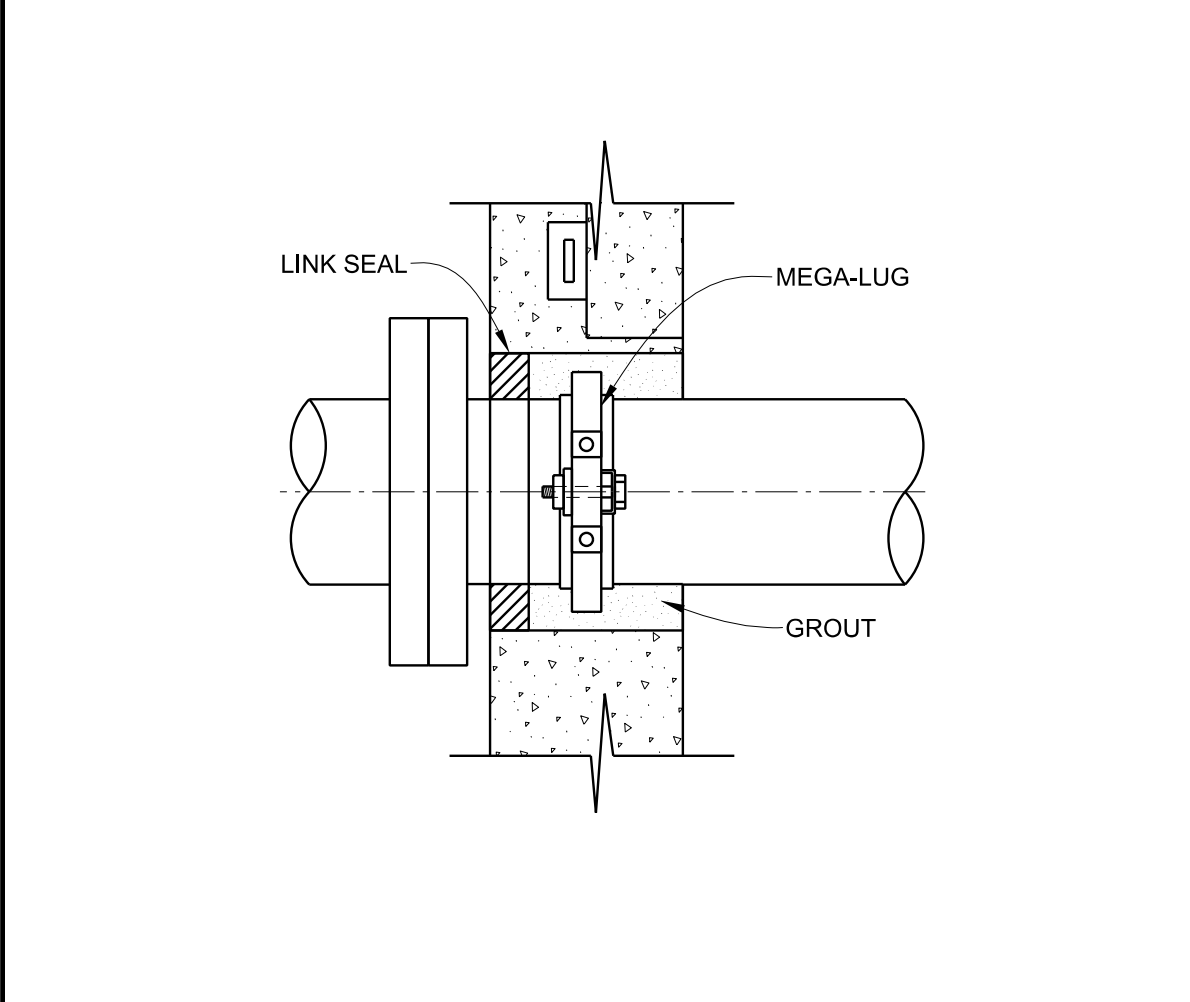
G13 AIR RELEASE VALVE & PIPING DETAIL NO SCALE



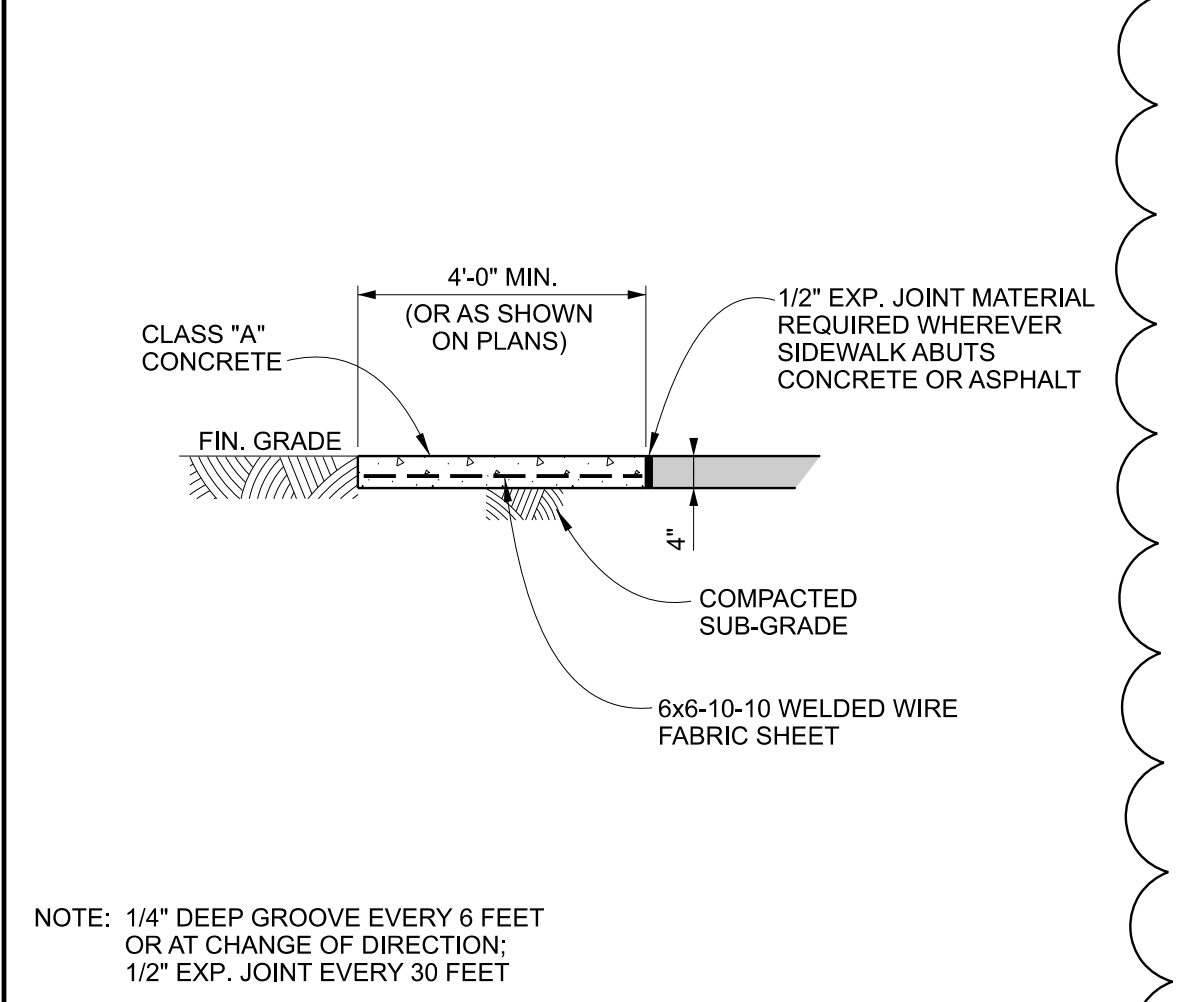
G1 TYP. WALL PENETRATION (SM. DIA. PIPE) NO SCALE



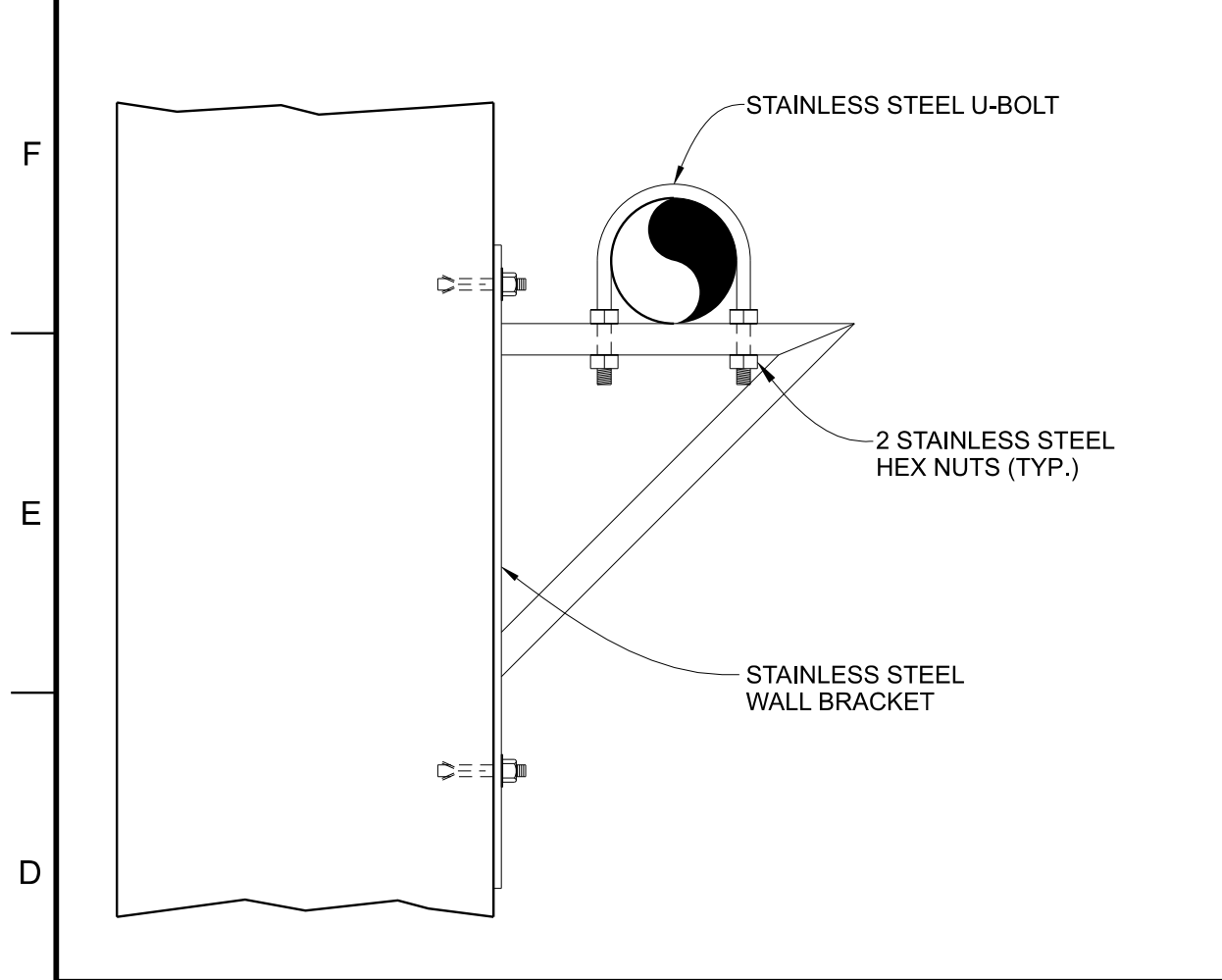
G4 WALL PENETRATION DETAIL NO SCALE



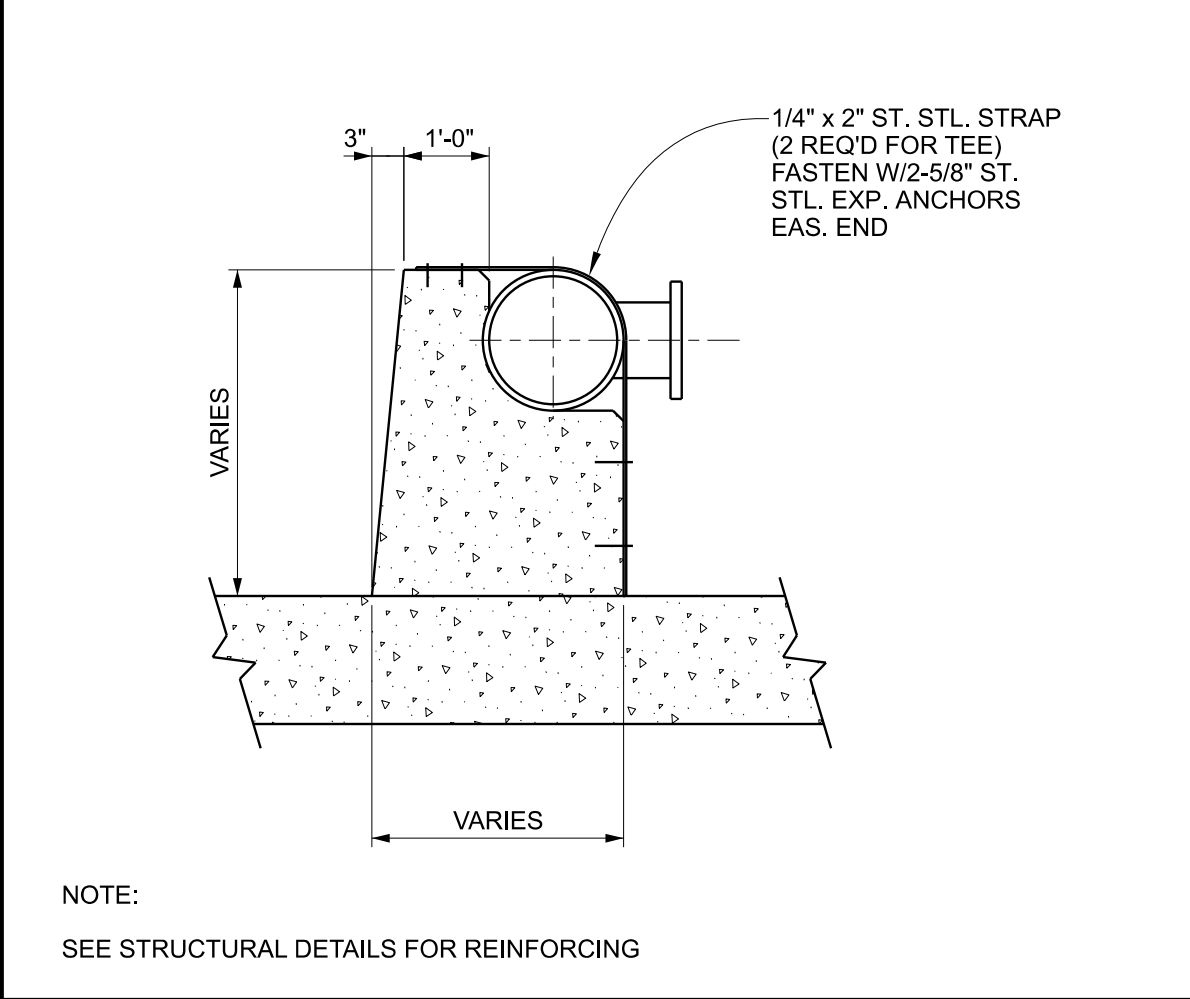
G7 LINKSEAL DETAIL NO SCALE



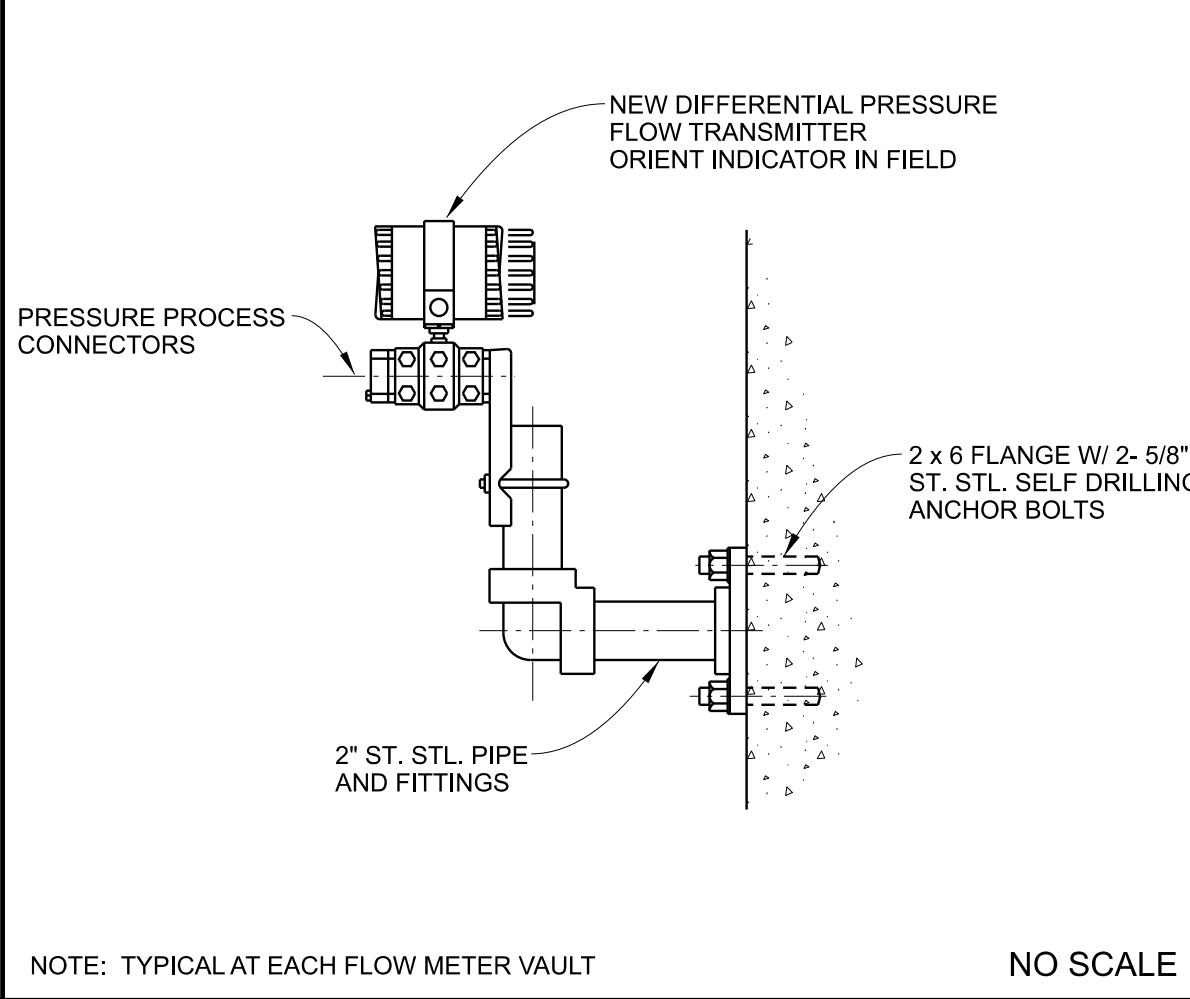
G10 CONCRETE SIDEWALK DETAIL NO SCALE



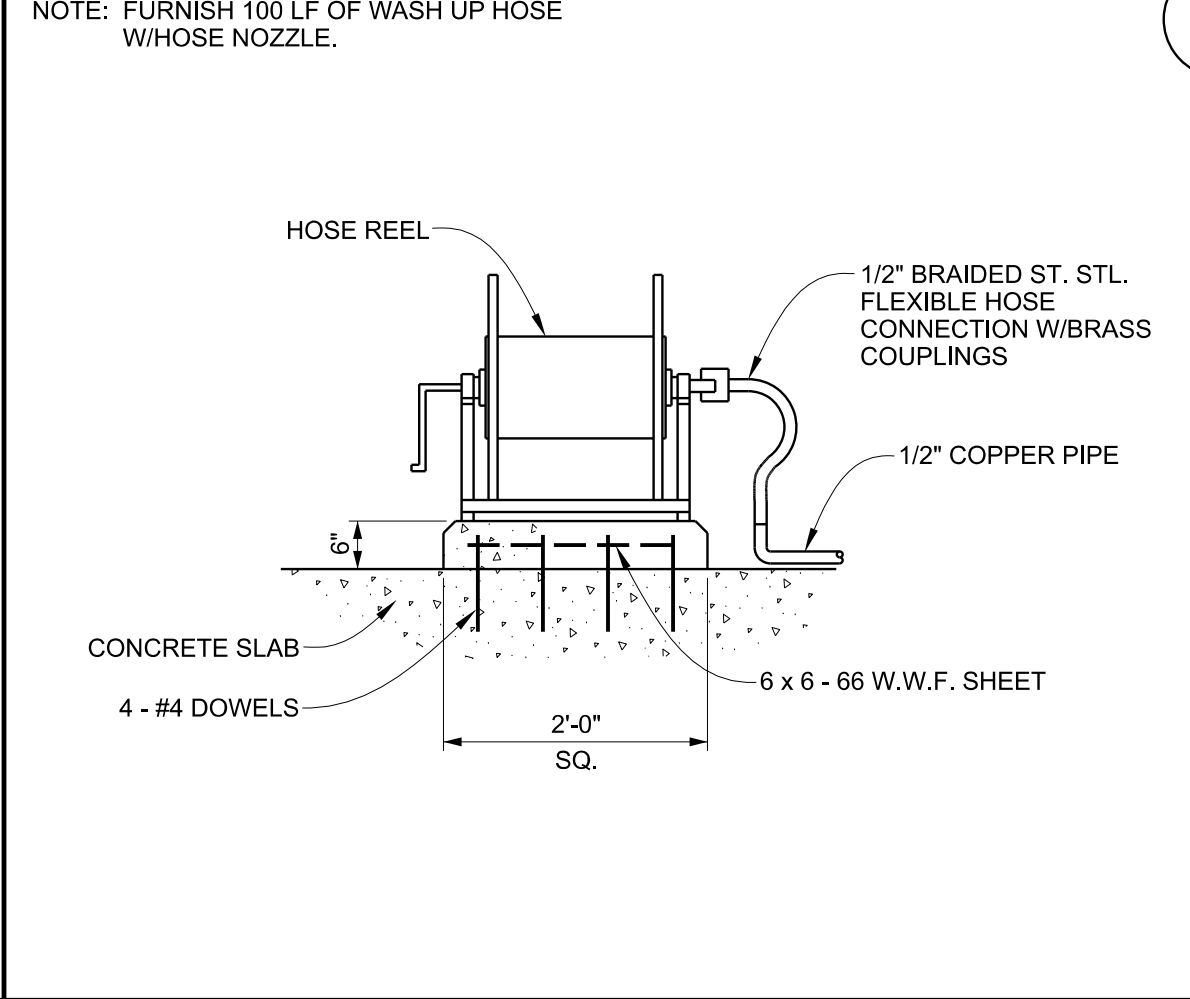
D1 PIPE SUPPORT DETAIL NO SCALE



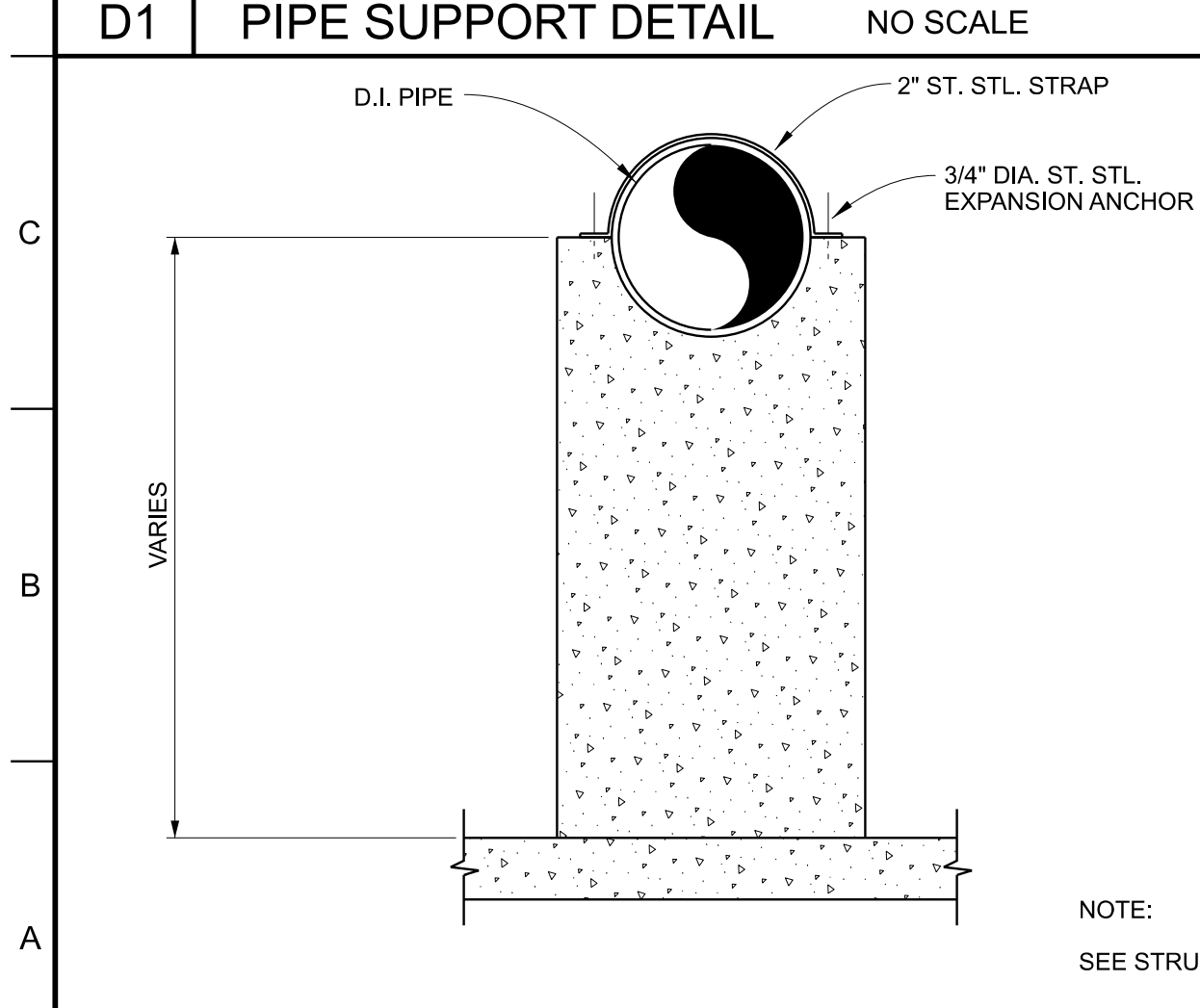
D4 CONCRETE PIPE SUPPORT NO SCALE



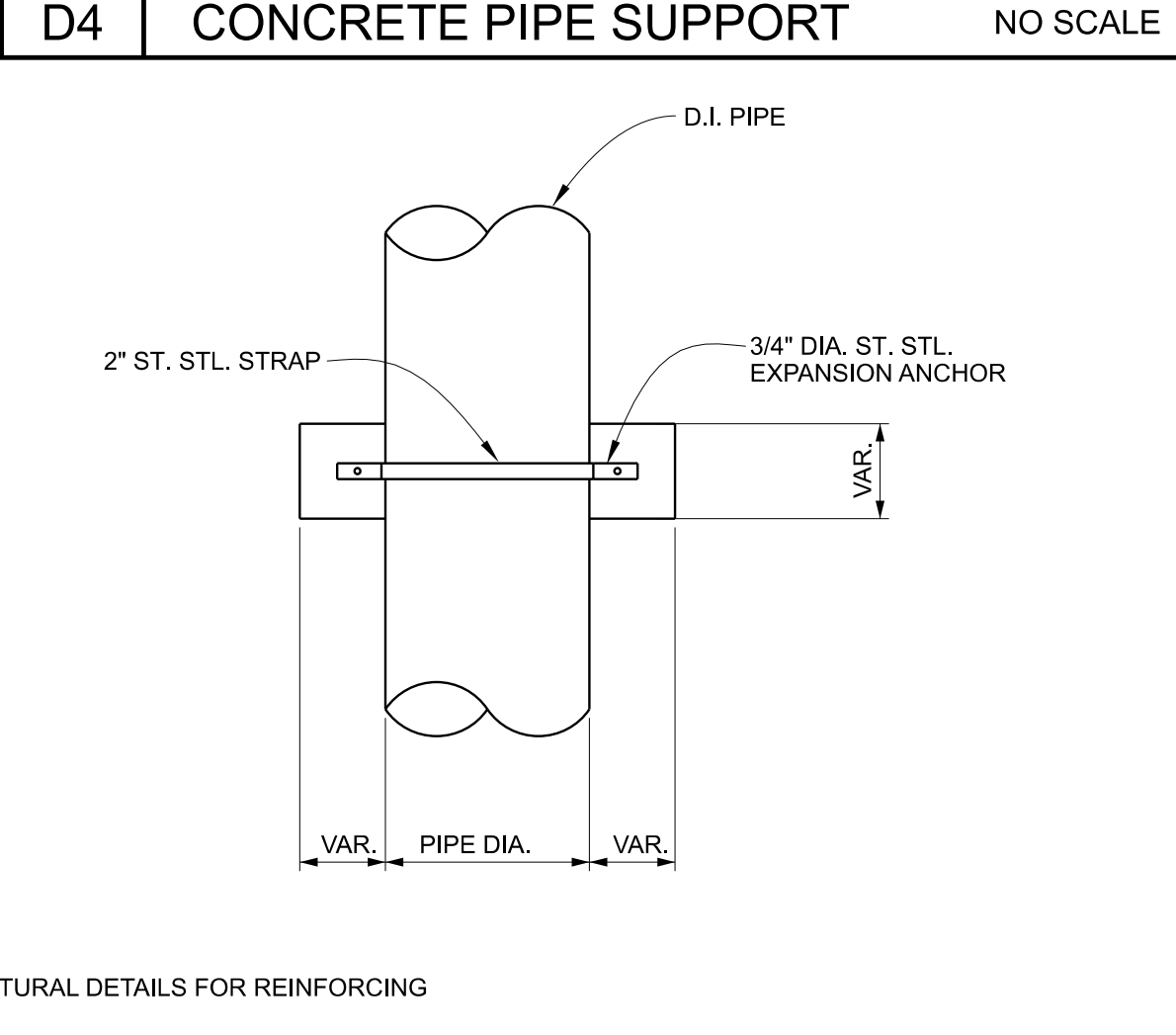
D7 TRANSMITTER MOUNTING DETAIL NO SCALE



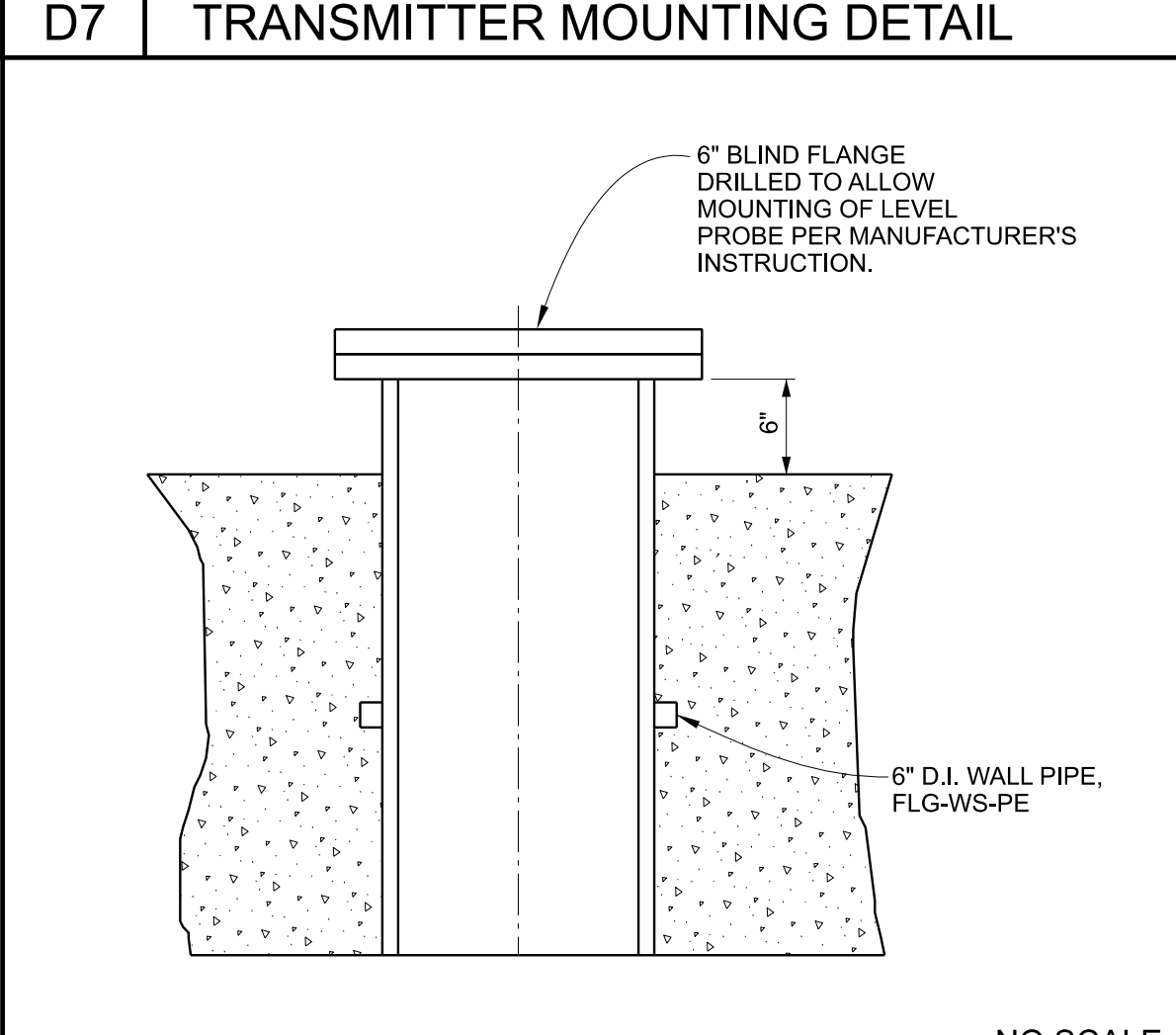
D10 HOSE REEL DETAIL NO SCALE



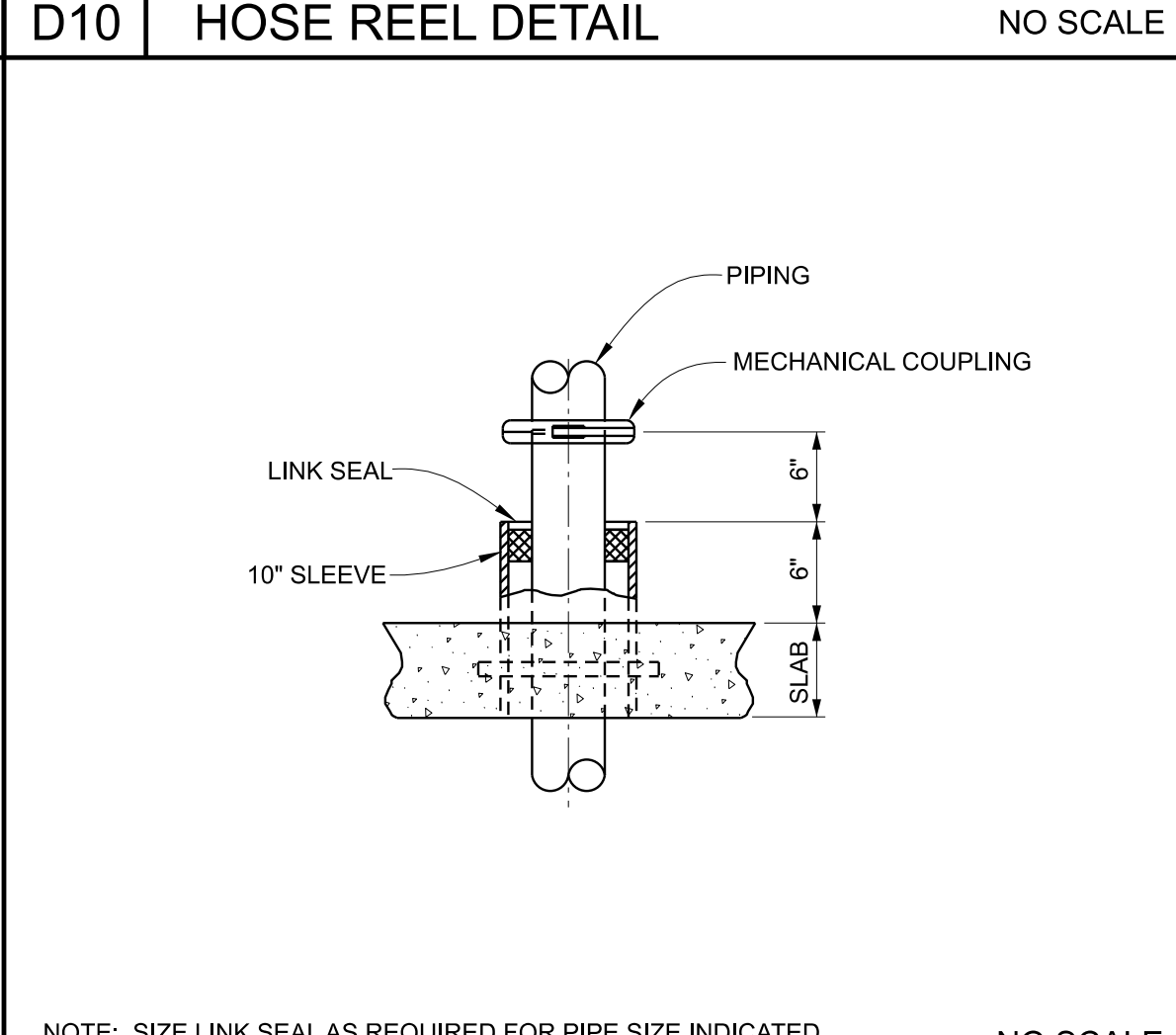
A1 CONCRETE PIPE SUPPORT DETAIL NO SCALE



A7 FERRULE FOR LEVEL PROBE DETAIL NO SCALE



A10 SLAB PENETRATION FERRULE DETAIL NO SCALE



A13 FERRULE FOR FUTURE PIPING DETAIL NO SCALE