

05/15/2022

BID SET

CITY OF FAIRHOPE  
WATER TREATMENT PLANT NO. 3  
EXPANSION  
FAIRHOPE, ALABAMA

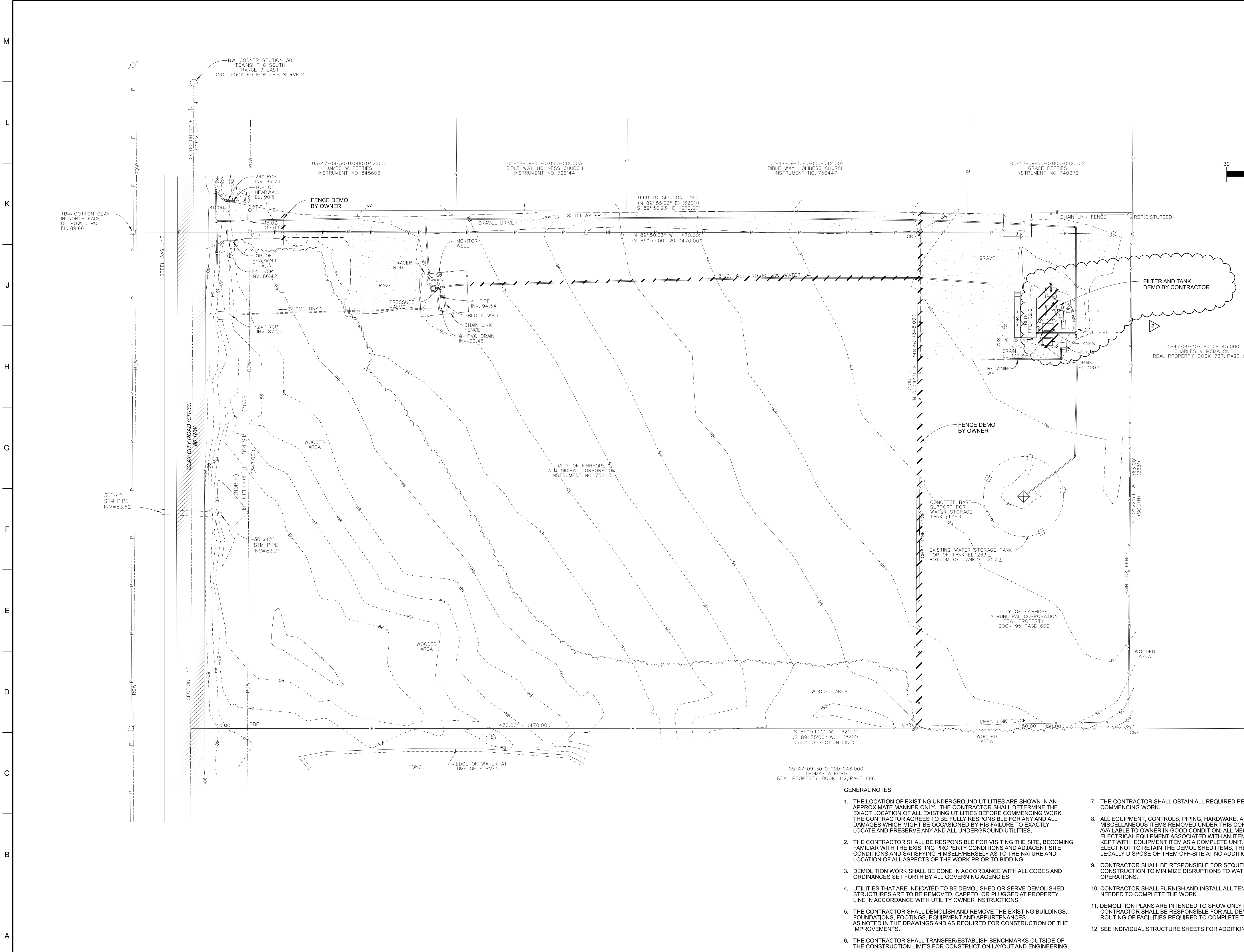
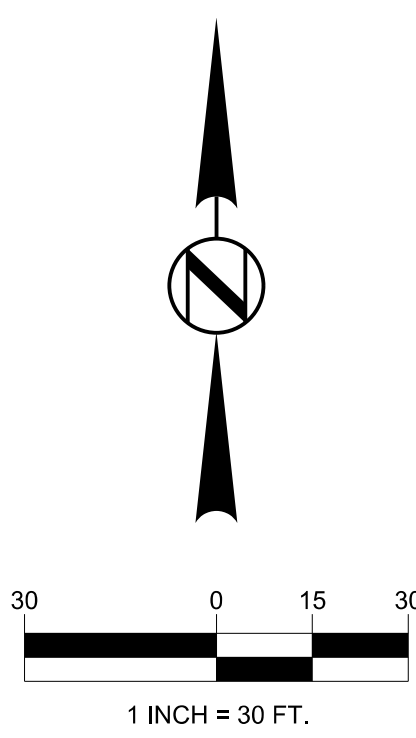


Designed ADM	Project No. 21036
Drawn ADM / CLM	
Checked OLL	

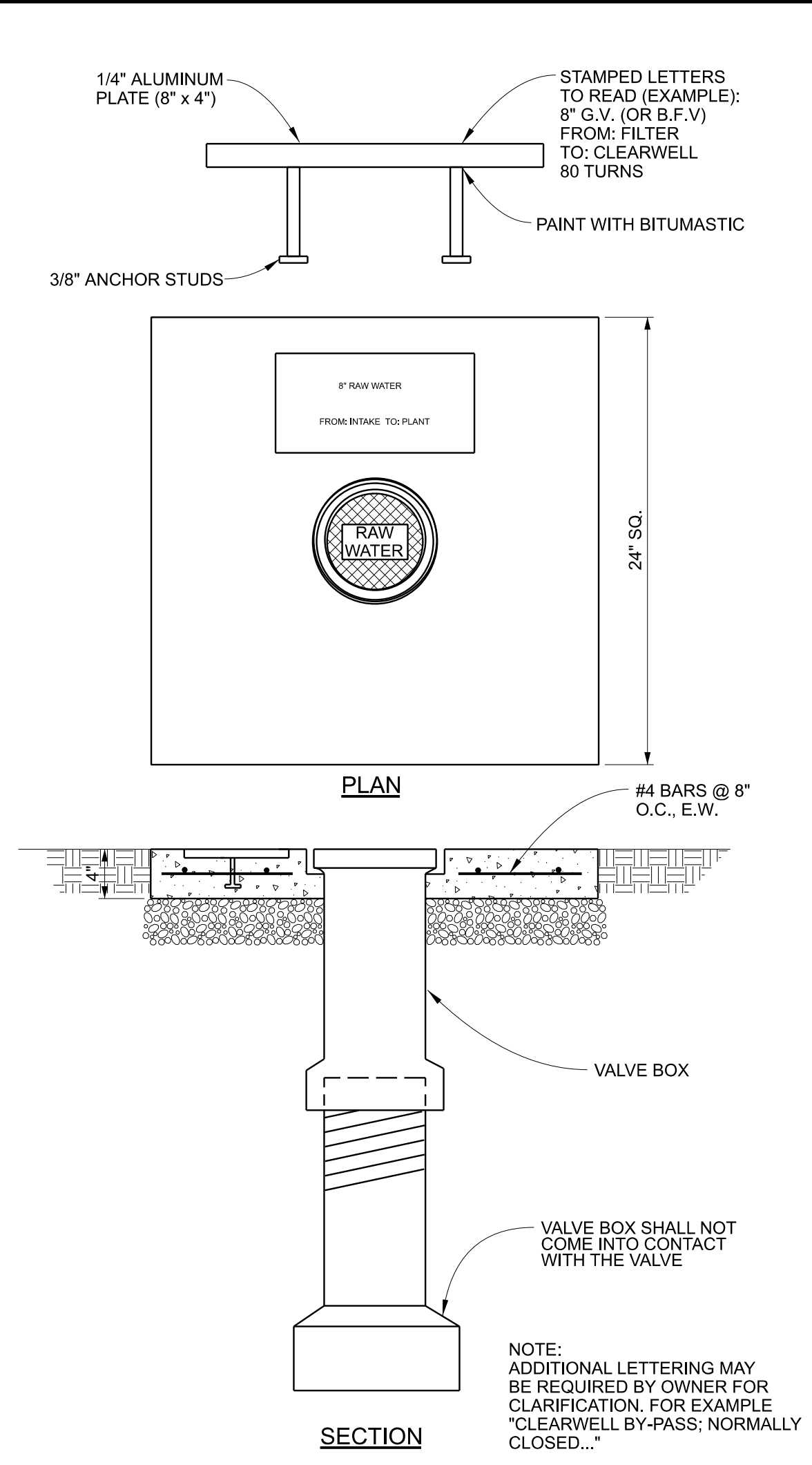
Revisions		
No.	Date	Description
1	6/6/2022	ADDENDUM NO. 1
2	6/15/2022	ADDENDUM NO. 2


SHEET TITLE  
**SITE DEMOLITION PLAN**

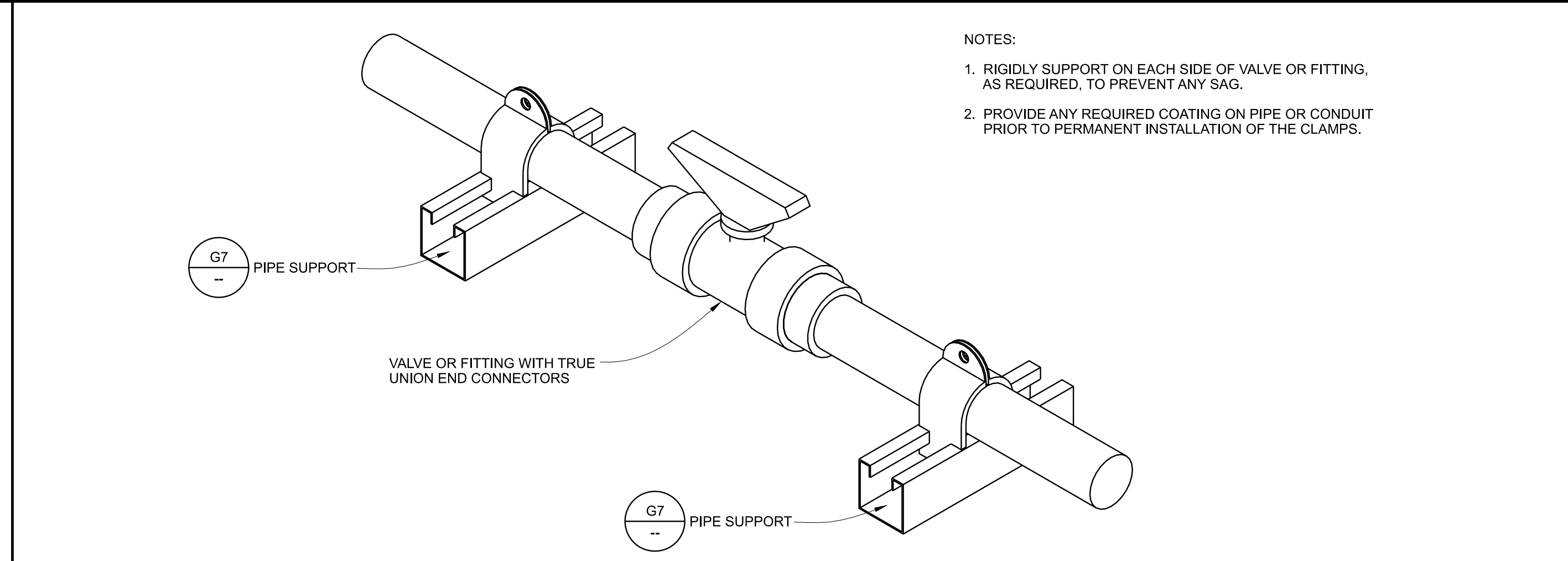
Issue Date MAY, 2022	Sheet No. C2-01
Sequence 16 of 92	



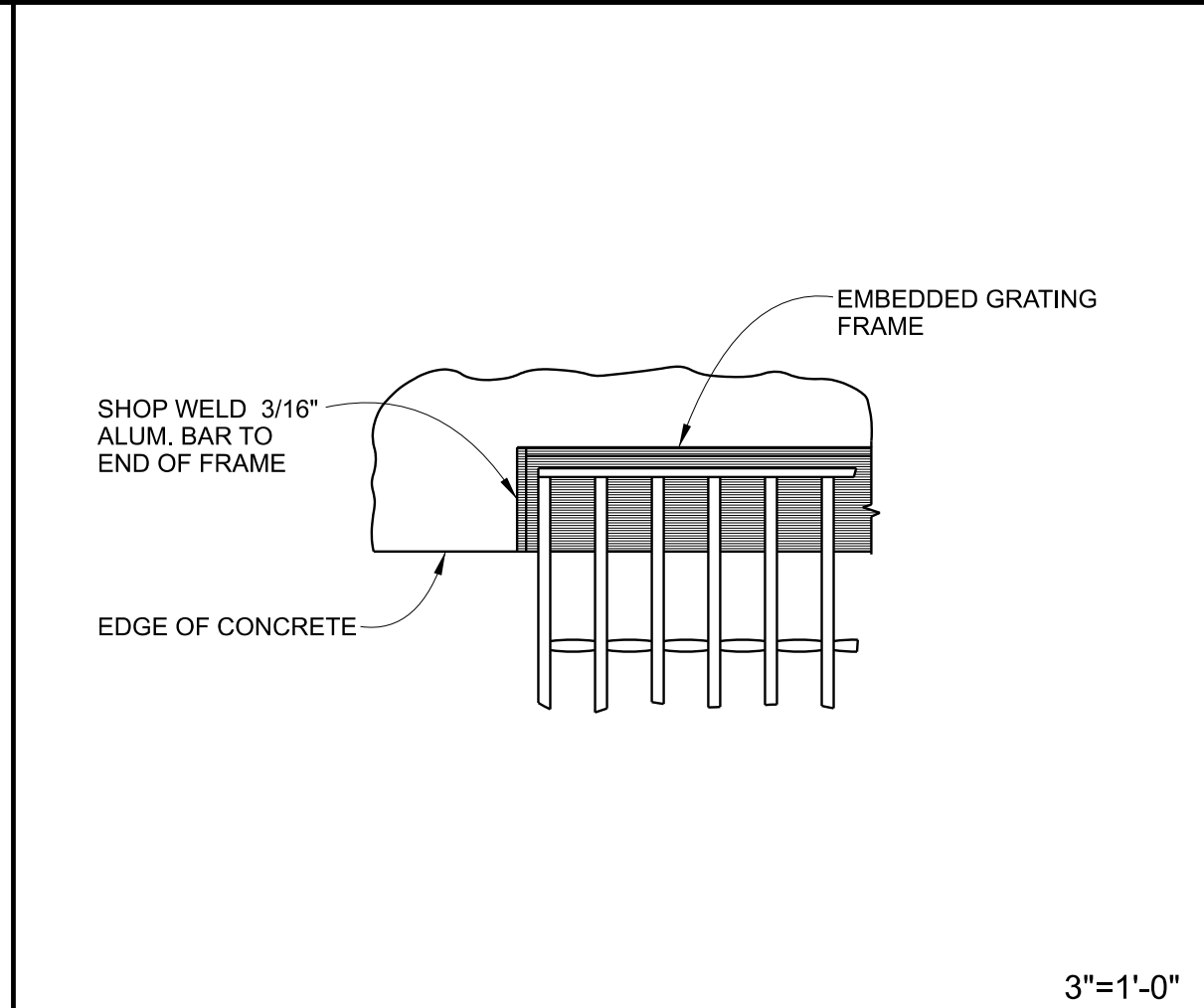
- GENERAL NOTES:**
1. THE LOCATION OF EXISTING UNDERGROUND UTILITIES ARE SHOWN IN AN APPROXIMATE MANNER ONLY. THE CONTRACTOR SHALL DETERMINE THE EXACT LOCATION OF ALL EXISTING UTILITIES BEFORE COMMENCING WORK. THE CONTRACTOR AGREES TO BE FULLY RESPONSIBLE FOR ANY AND ALL DAMAGES WHICH MIGHT BE OCCASIONED BY HIS FAILURE TO EXACTLY LOCATE AND PRESERVE ANY AND ALL UNDERGROUND UTILITIES.
  2. THE CONTRACTOR SHALL BE RESPONSIBLE FOR VISITING THE SITE, BECOMING FAMILIAR WITH THE EXISTING PROPERTY CONDITIONS AND ADJACENT SITE CONDITIONS AND SATISFYING HIMSELF/HERSELF AS TO THE NATURE AND LOCATION OF ALL ASPECTS OF THE WORK PRIOR TO BIDDING.
  3. DEMOLITION WORK SHALL BE DONE IN ACCORDANCE WITH ALL CODES AND ORDINANCES SET FORTH BY ALL GOVERNING AGENCIES.
  4. UTILITIES THAT ARE INDICATED TO BE DEMOLISHED OR SERVE DEMOLISHED STRUCTURES ARE TO BE REMOVED, CAPPED, OR PLUGGED AT PROPERTY LINE IN ACCORDANCE WITH UTILITY OWNER INSTRUCTIONS.
  5. THE CONTRACTOR SHALL DEMOLISH AND REMOVE THE EXISTING BUILDINGS, FOUNDATIONS, FOOTINGS, EQUIPMENT AND APPURTENANCES AS NOTED IN THE DRAWINGS AND AS REQUIRED FOR CONSTRUCTION OF THE IMPROVEMENTS.
  6. THE CONTRACTOR SHALL TRANSFER/ESTABLISH BENCHMARKS OUTSIDE OF THE CONSTRUCTION LIMITS FOR CONSTRUCTION LAYOUT AND ENGINEERING.
  7. THE CONTRACTOR SHALL OBTAIN ALL REQUIRED PERMITS PRIOR TO COMMENCING WORK.
  8. ALL EQUIPMENT, CONTROLS, PIPING, HARDWARE, APPURTENANCES, AND MISCELLANEOUS ITEMS REMOVED UNDER THIS CONTRACT SHALL BE MADE AVAILABLE TO OWNER IN GOOD CONDITION. ALL MECHANICAL, CONTROL, AND ELECTRICAL EQUIPMENT ASSOCIATED WITH AN ITEM OR EQUIPMENT SHALL BE KEPT WITH EQUIPMENT ITEM AS A COMPLETE UNIT. SHOULD THE OWNER ELECT NOT TO RETAIN THE DEMOLISHED ITEMS, THE CONTRACTOR SHALL LEGALLY DISPOSE OF THEM OFF-SITE AT NO ADDITIONAL COST TO THE OWNER.
  9. CONTRACTOR SHALL BE RESPONSIBLE FOR SEQUENCING DEMOLITION CONSTRUCTION TO MINIMIZE DISRUPTIONS TO WATER TREATMENT PLANT OPERATIONS.
  10. CONTRACTOR SHALL FURNISH AND INSTALL ALL TEMPORARY FACILITIES AS NEEDED TO COMPLETE THE WORK.
  11. DEMOLITION PLANS ARE INTENDED TO SHOW ONLY MAJOR DEMOLITION ITEMS. CONTRACTOR SHALL BE RESPONSIBLE FOR ALL DEMOLITION AND/OR RE-ROUTING OF FACILITIES REQUIRED TO COMPLETE THE WORK.
  12. SEE INDIVIDUAL STRUCTURE SHEETS FOR ADDITIONAL DETAILS.



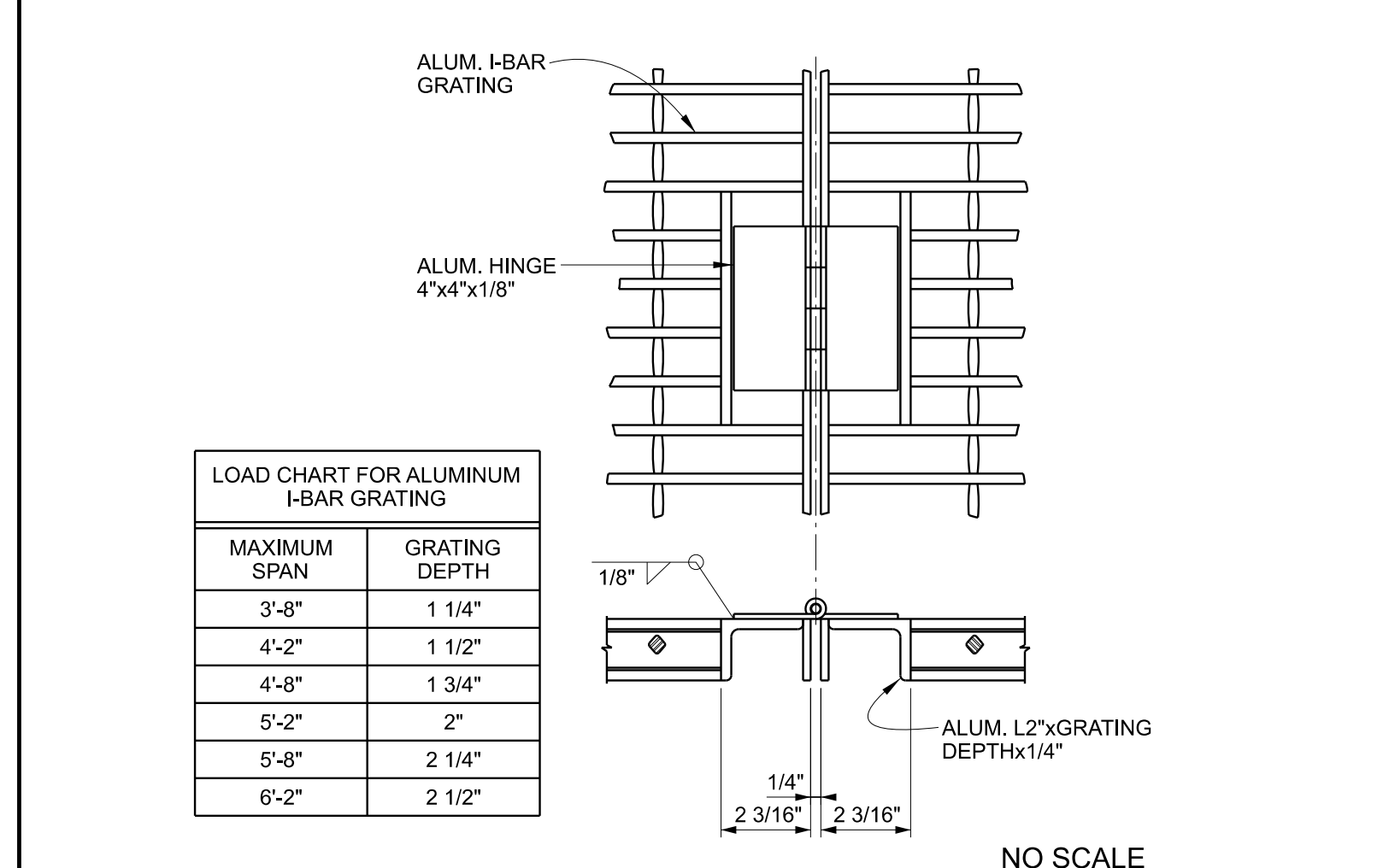
G1 VALVE BOX DETAIL NO SCALE



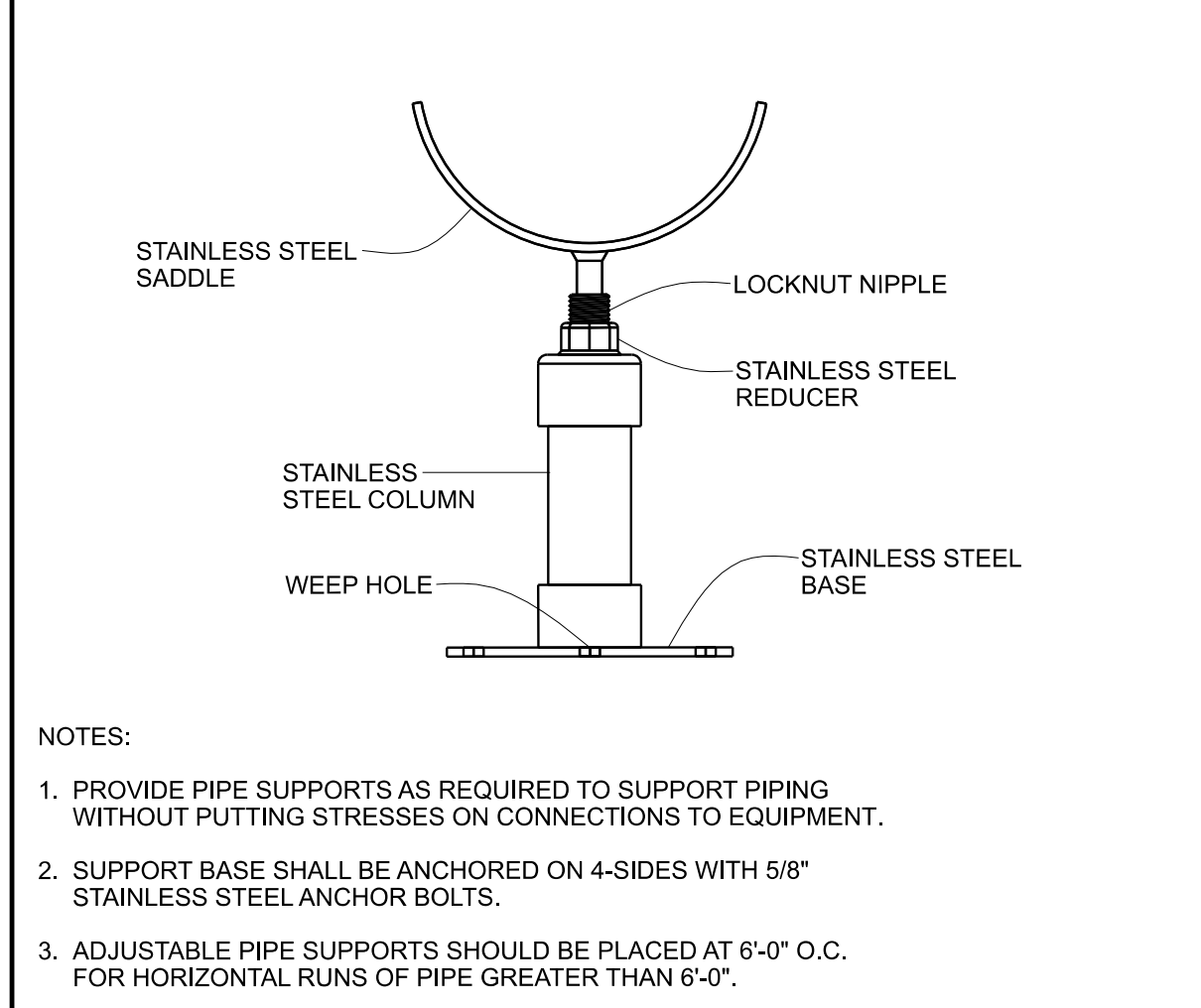
K4 TYPICAL VALVE SUPPORT NO SCALE



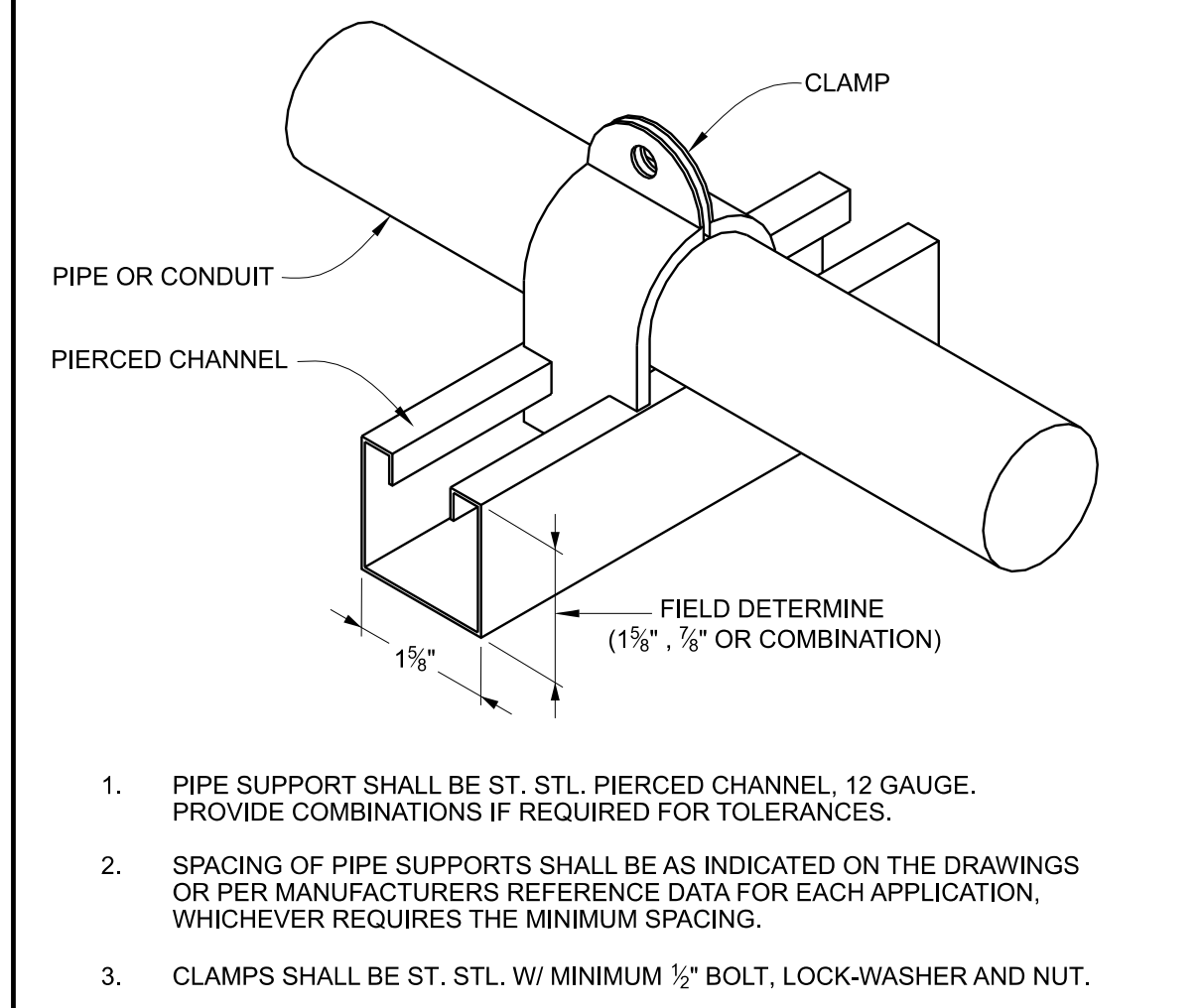
K11 OPEN ENDED GRATING FRAME DETAIL 3\"/>



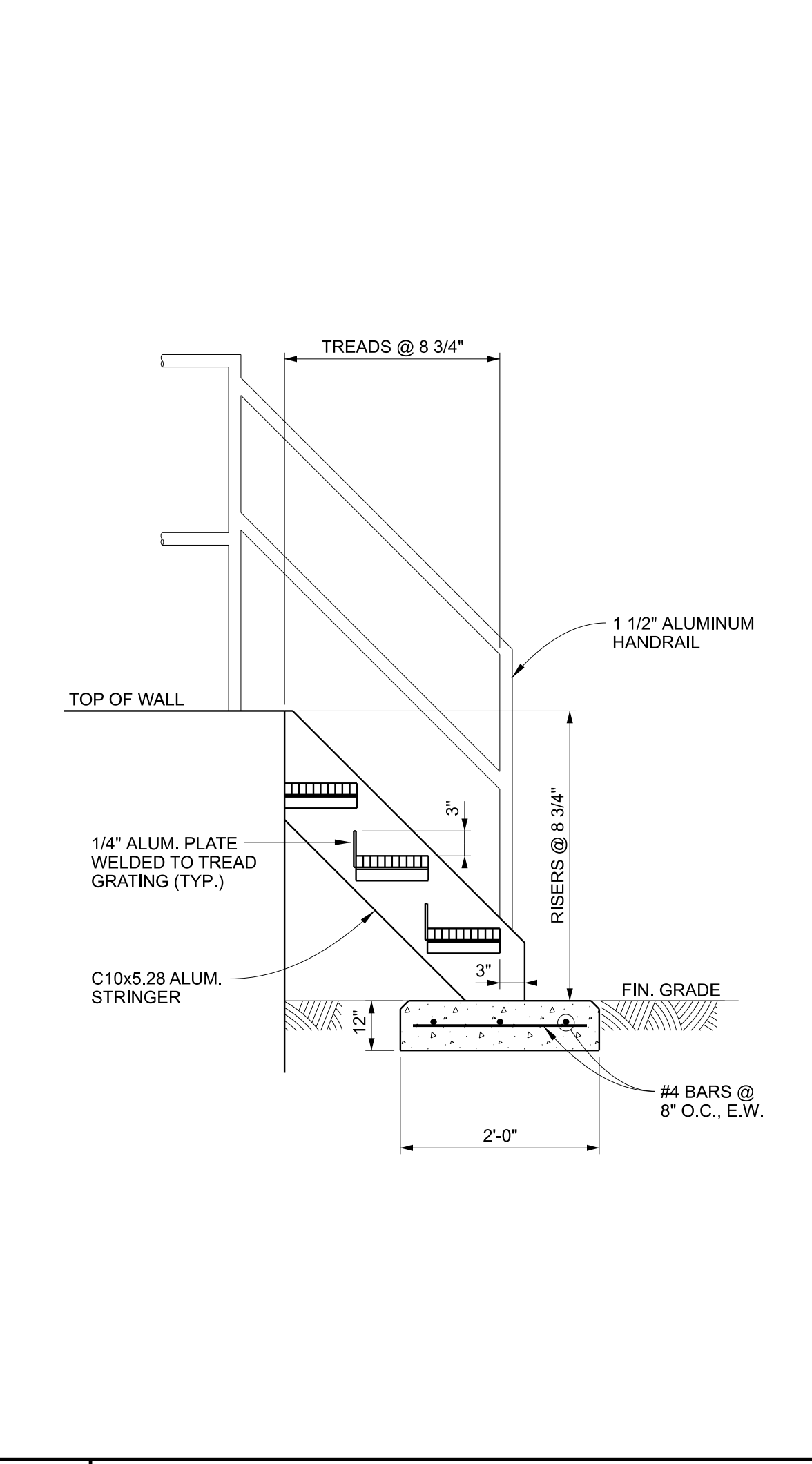
G4 HINGE AT I-BAR GRATING DETAIL NO SCALE



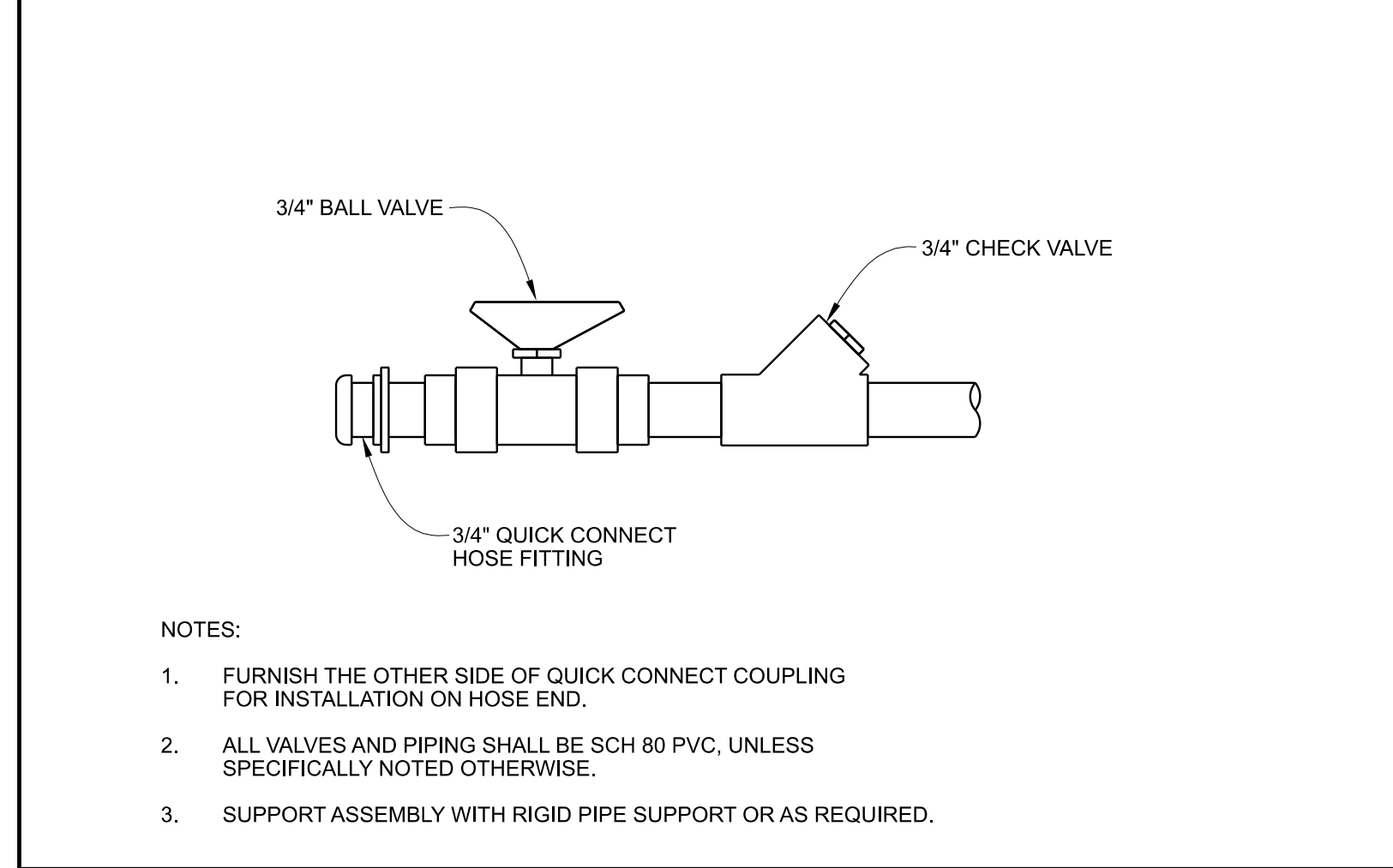
G8 ADJUSTABLE PIPE SUPPORT NO SCALE



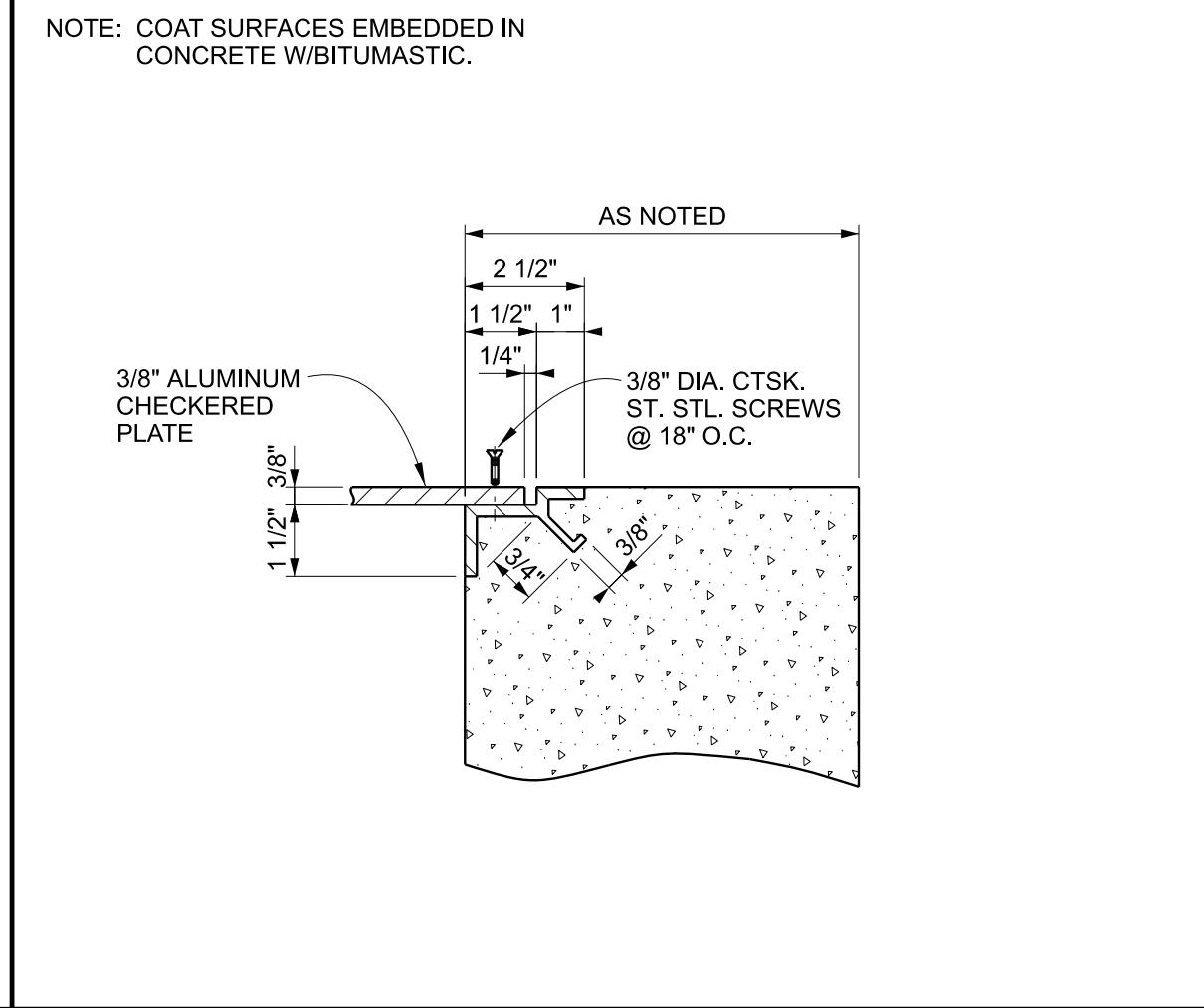
G11 PIPE SUPPORT NO SCALE



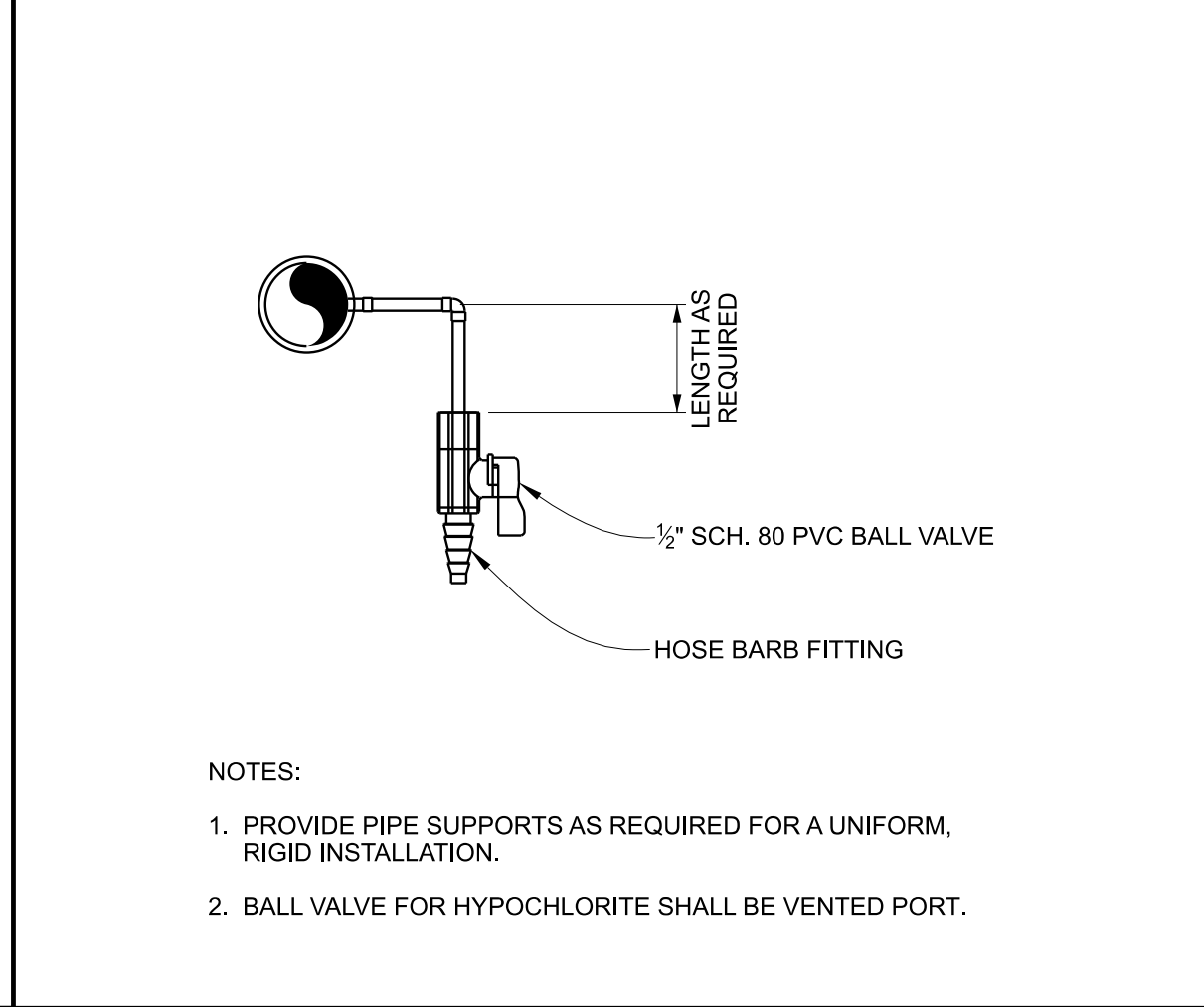
A1 ALUMINUM STAIR DETAIL NO SCALE



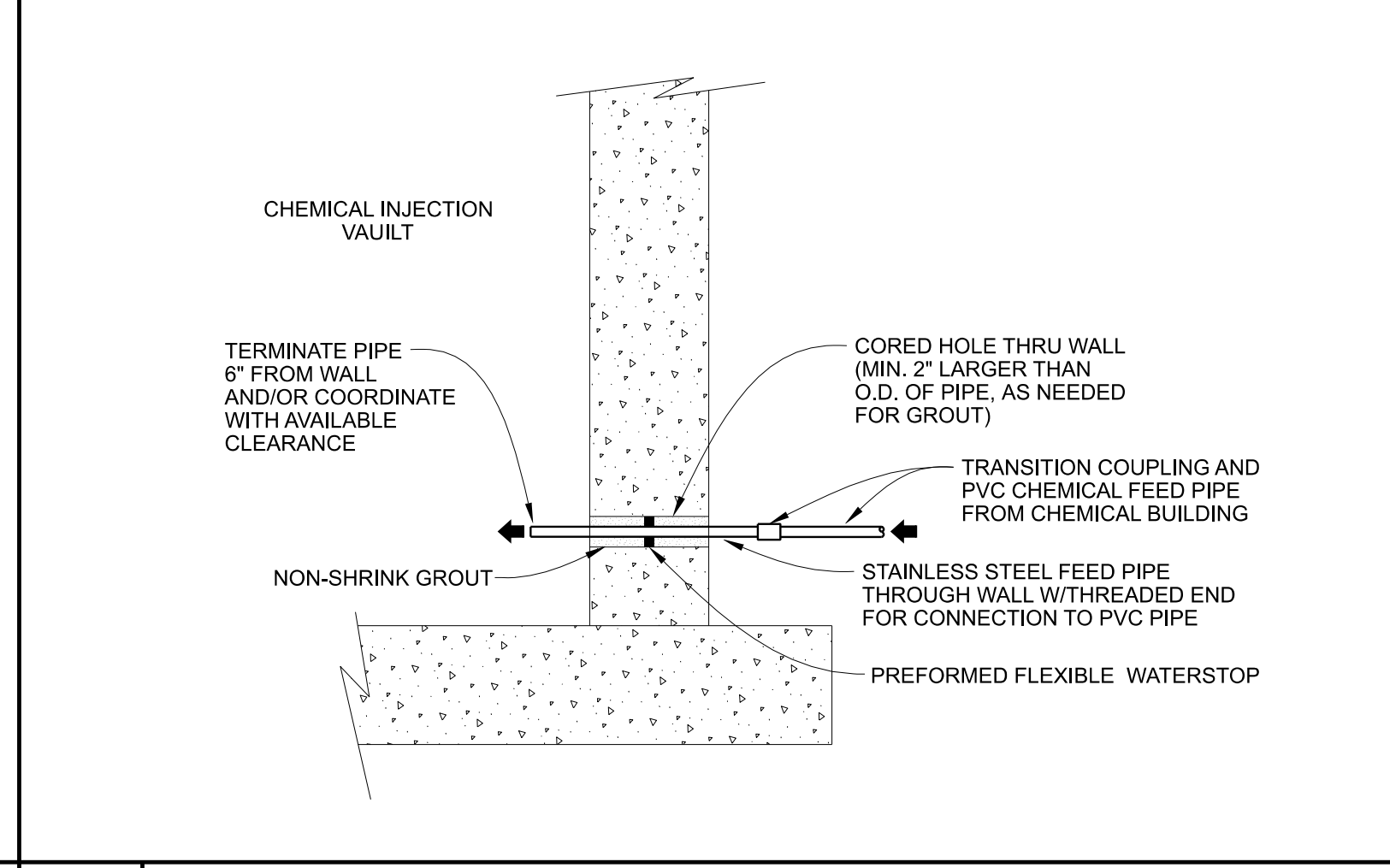
D4 FLUSHING PORT ASSEMBLY NO SCALE



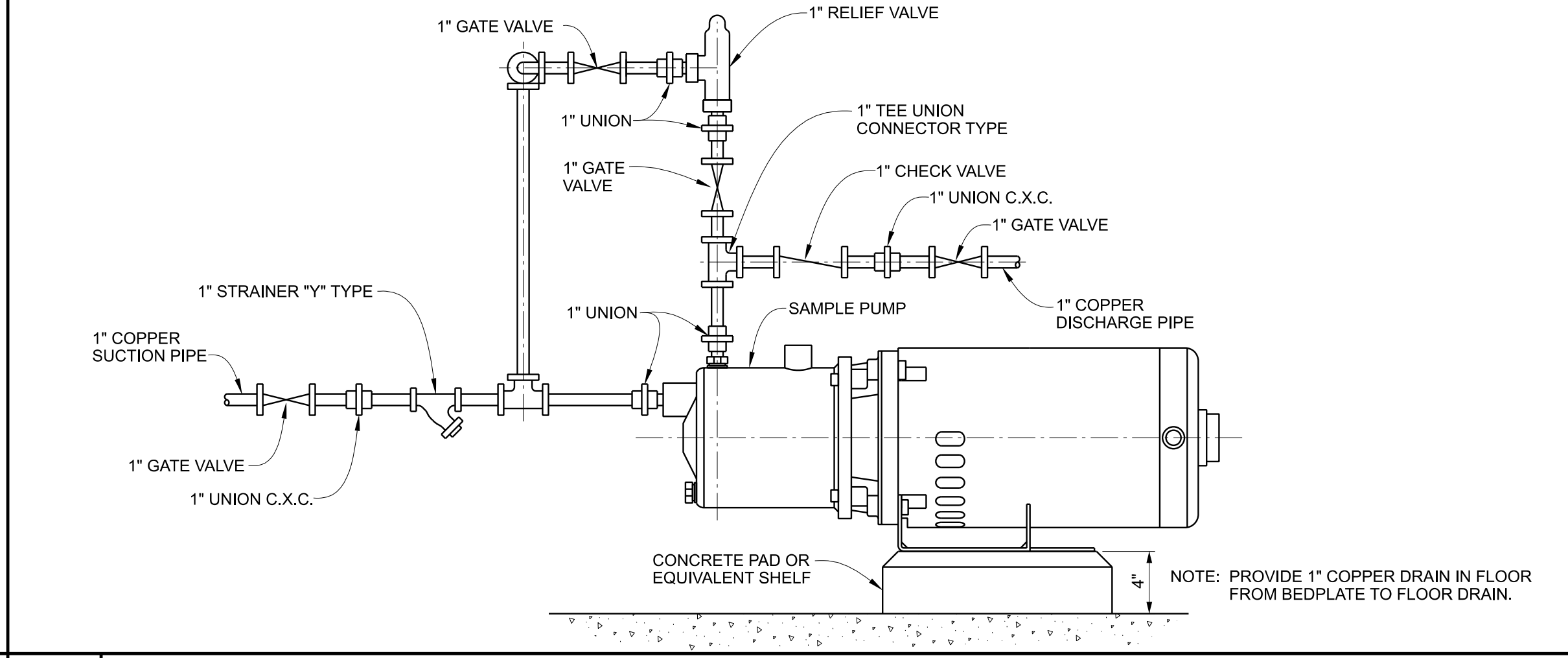
D8 ALUMINUM PLATE DETAIL NO SCALE



D11 SAMPLE TAP NO SCALE



A4 CHEMICAL FEED PIPE PENETRATION DETAIL NO SCALE



A8 SAMPLE PUMP INSTALLATION NO SCALE

01/14/2022 4:14:42 PM P:\31631\Project\DT03\DT-04.dgn