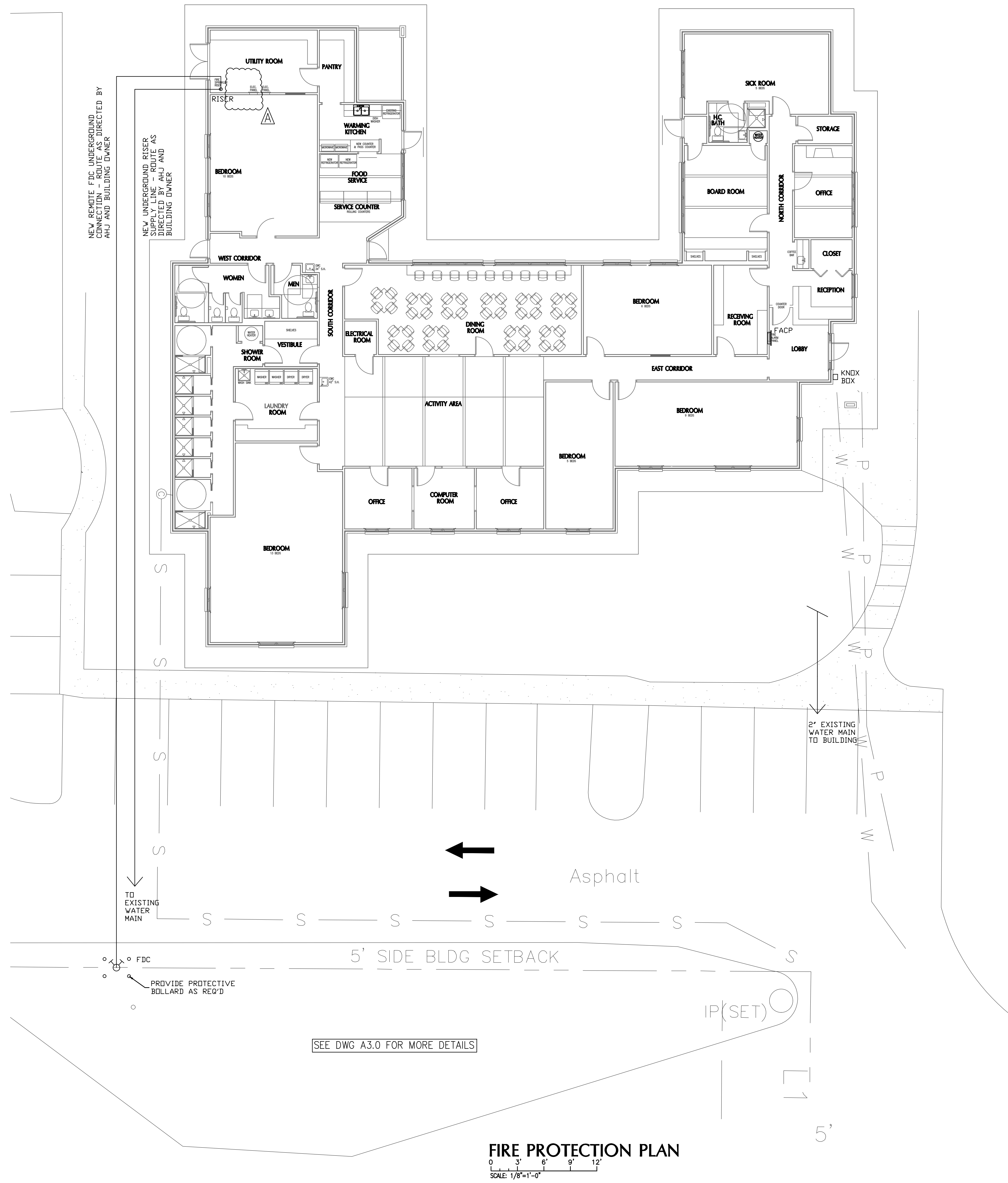
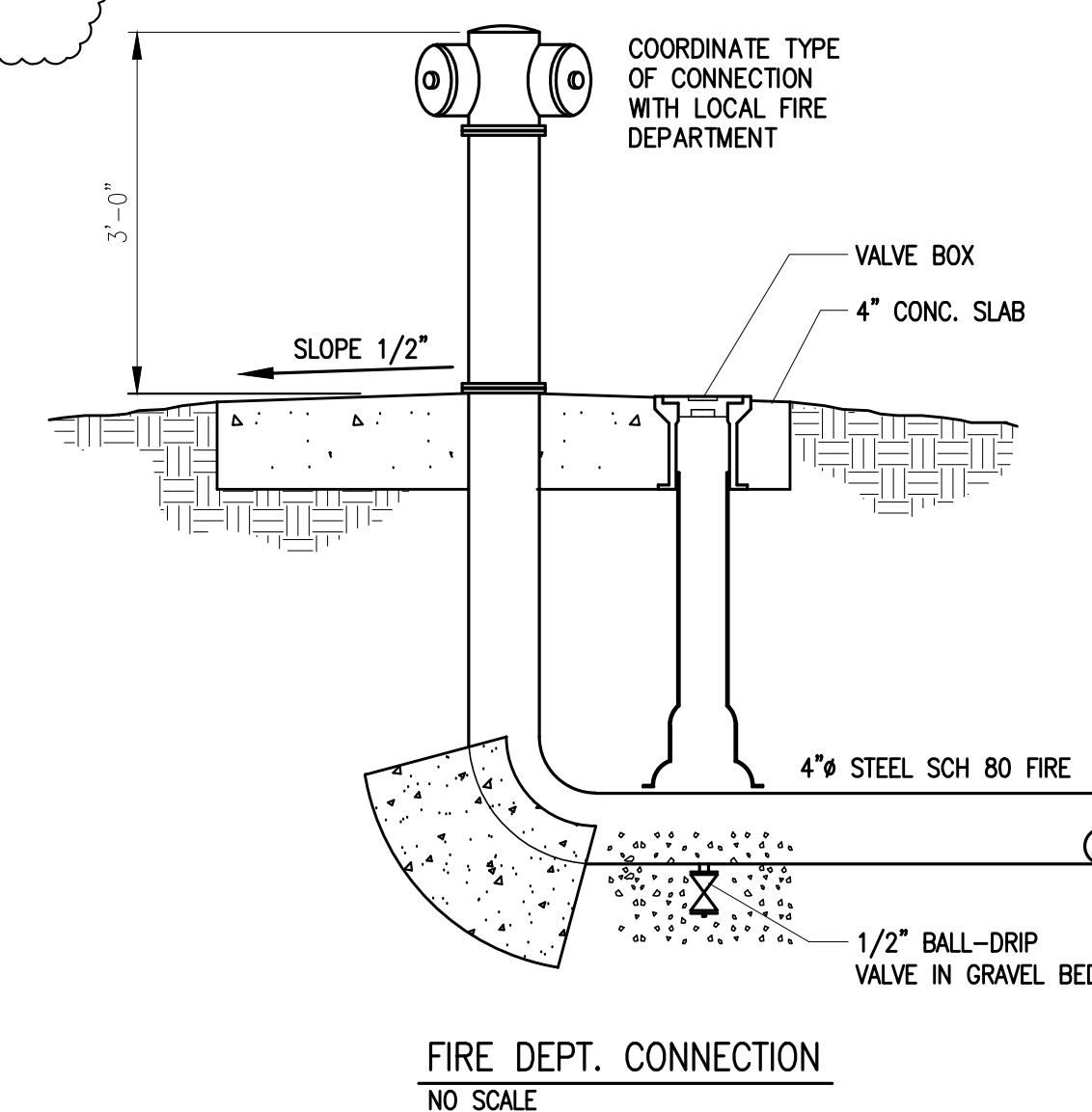
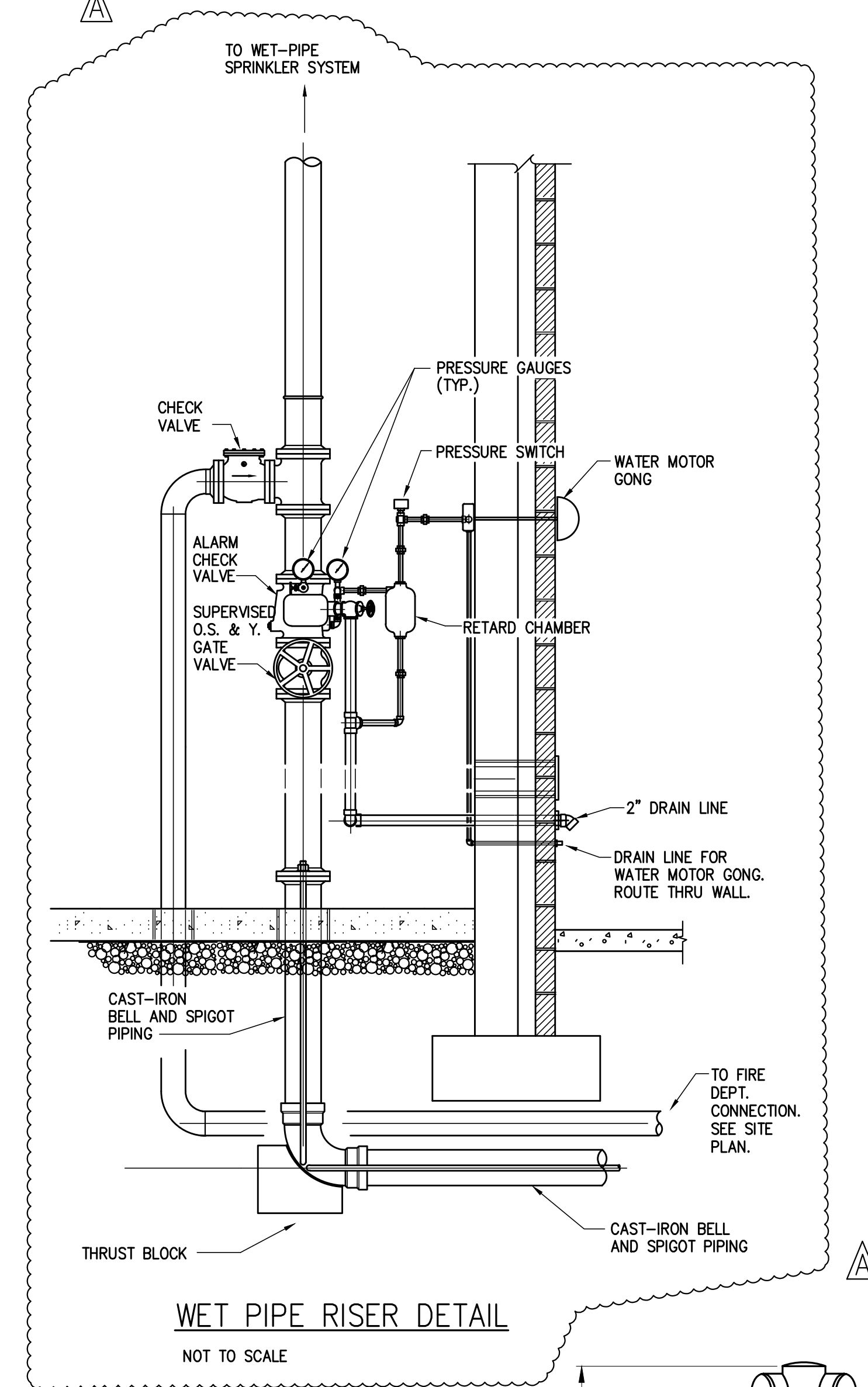


A  
B  
C  
D  
E

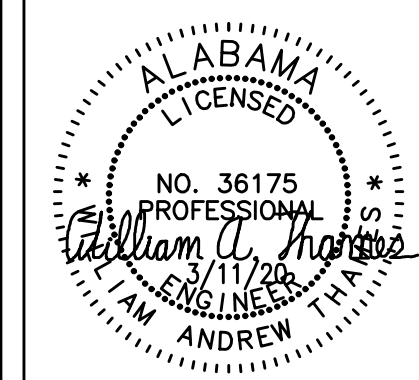


**FIRE SUPPRESSION NOTES**

- BUILDING SHALL BE PROTECTED BY AN AUTOMATIC FIRE SUPPRESSION SYSTEM INSTALLED IN ACCORDANCE WITH NFPA 13R, STANDARD FIRE PREVENTION CODE AND LOCAL CODES.
- THE FIRE SUPPRESSION SYSTEM SHALL BE DESIGNED, INSTALLED AND TESTED IN ACCORDANCE WITH THE FOLLOWING CRITERIA:  
A. REGULATIONS OF THE APPROVING JURISDICTION  
B. NATIONAL FIRE PROTECTION ASSOCIATION STANDARDS; NO. 13R SPRINKLER SYSTEMS, NO. 14 STANDPIPE AND HOSE SYSTEMS.
- ALL WORK SHOWN ON THESE DOCUMENTS IS INTENDED AS A GUIDE ONLY. THE CONTRACTOR SHALL BE RESPONSIBLE FOR PRODUCING COMPLETE SHOP DRAWINGS AND CALCULATIONS FOR REVIEW. THE SHOP DRAWINGS AND CALCULATIONS SHALL BE PREPARED IN ACCORDANCE WITH THE ABOVE REFERENCED NFPA STANDARDS.
- THE SPRINKLER SYSTEM SHALL BE HYDRAULICALLY CALCULATED IN ACCORDANCE WITH NFPA 13R.
- HOSE STREAM ALLOWANCES SHALL BE AS REQUIRED BY NFPA 13R
- MAXIMUM AREA OF COVERAGE PER SPRINKLER SHALL BE IN ACCORDANCE WITH NFPA 13R FOR THE APPLICABLE HAZARD AND TYPE OF SPRINKLER, OR IN ACCORDANCE WITH MANUFACTURER'S LISTINGS.
- PROVIDE A WET PIPE SPRINKLER SYSTEM FOR SPACES REQUIRED BY NFPA 13R.
- ALL FIRE PROTECTION SYSTEM CONTROL VALVES SHALL BE PROVIDED WITH VALVE SUPERVISORY SWITCHES BY THE SPRINKLER CONTRACTOR. WIRING TO VALVE SUPERVISORY SWITCHES AND WATER FLOW SWITCHES SHALL BE BY OTHERS. ALL ELECTRICAL DEVICES FOR THE FIRE PROTECTION SYSTEM SHALL BE COMPATIBLE WITH THE FIRE ALARM SYSTEM.
- PIPING SHALL BE INSTALLED SO THAT ALL PORTIONS OF THE SYSTEM CAN BE DRAINED BACK THROUGH VALVES IN ACCORDANCE WITH THE REFERENCED NFPA STANDARDS.
- THE CONTRACTOR SHALL SUBMIT SIGNED CERTIFIED TEST RESULTS FOR RECORD OF ALL ACCEPTANCE TEST REQUIRED BY THE APPLICABLE NFPA STANDARDS FOR THE INSTALLED FIRE PROTECTION PIPING SYSTEM. THE TEST RESULTS SHALL BE REPORTED UTILIZING NFPA STANDARD FORMS.
- SPRINKLER CONTRACTOR SHALL COORDINATE SPRINKLER HEAD LOCATIONS WITH LIGHTS AND DIFFUSERS, AND OTHER MECHANICAL AND ELECTRICAL EQUIPMENT.
- FULLY COORDINATE INSTALLATION OF PIPE WITH ALL OTHER TRADES, WITH PARTICULAR EMPHASIS ON COORDINATION WITH HVAC DUCTWORK. SPRINKLER PIPE SHALL NOT BE SUSPENDED FROM DUCT HANGERS UNLESS THESE SUPPORTS ARE SPECIFICALLY DESIGNED TO ACCOMMODATE SPRINKLER PIPE. HANGERS SHALL BE IN ACCORDANCE WITH NFPA 13R.
- INSTALLATION OF KNOX BOX SHALL BE REQUIRED UPON COMPLETION OF CONSTRUCTION.
- A FIRE FLOW TEST SHALL BE PERFORMED TO DETERMINE MINIMUM AND MAXIMUM SUPPLY PRESSURES AS WELL AS SUITABILITY OF SUPPLY FOR THE FIRE PROTECTION SYSTEM WHERE PRESSURE IS INADEQUATE. A CENTRIFUGAL FIRE PUMP SHALL BE INSTALLED. NFPA 20 IS THE NATIONAL FIRE PROTECTION ASSOCIATION'S CODE SECTION GOVERNING THE CONSTRUCTION AND INSTALLATION OF STATIONARY FIRE PUMP SYSTEMS. THE FIRE PUMP MUST MEET ALL REQUIREMENTS OF NFPA 20.
- WHERE ADEQUATE SUPPLY WATER IS UNAVAILABLE, A TANK MUST BE INSTALLED. TOTAL WATER REQUIREMENTS MUST BE IN COMPLIANCE WITH NFPA 13R AND NFPA 14.
- SPRINKLER CONTRACTOR SHALL SUPPLY A METHOD OF FREEZE PROTECTION FOR SPRINKLER PIPING IN NON-OCCUPIED SPACES AS REQ'D BY NFPA 13R.



**ARCHITECTURE & DESIGN, INCORPORATED**  
1263 LAKE CIRCLE WEST  
MOBILE, ALABAMA 36693  
Phone: (251) 533-1667  
adi@adimobile.net



BUILDING RENOVATIONS FOR THE NEW  
**McKemie Place**  
618 AZALEA ROAD, MOBILE, ALABAMA 36609

Sheet Title  
**FIRE PLAN**

REVISIONS		
No.	Date	Description
A	3/11	REV PER OWN

DO NOT COPY - THIS DRAWING AND ITS REPRODUCTIONS ARE THE PROPERTY OF ARCHITECTURE & DESIGN, INC. AND MAY NOT BE REPRODUCED, PUBLISHED OR USED IN ANY WAY WITHOUT THE WRITTEN PERMISSION OF ARCHITECTURE & DESIGN, INC. DO NOT COPY -

Project No. 2019-16  
Date 18 NOVEMBER 2019  
Sheet No.

**F10**